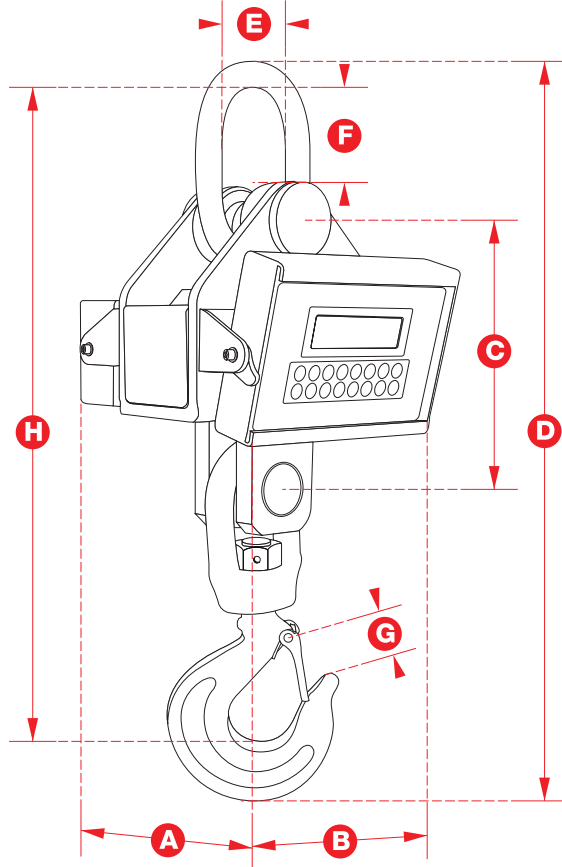


Industrial crane scales for use in areas classified as hazardous (zone 1 & 2) in accordance with Ex II 2G IIC T4 X protection.
 Fitted with easy to read 25mm LCD display and preset tare facility.
 Supplied with 230Vac 50Hz battery charger to be used in safe area.



DIMENSIONS (SEE TABLE BELOW)



Part Number	JWA6T	JWA10T	JWA15T	JWA25T	JWA35T
Capacity	6000kg	10,000kg	15,000kg	25,000kg	35,000kg
Resolution	1kg	2kg	2kg	5kg	10kg
Units	kg	kg	kg	kg	kg
Battery Type	Internal rechargeable				
Battery Life	160hrs				
Display Type	25mm backlit LCD				
Op Temp	-10 to 70c				
Accuracy	± 0.3% of applied load				
Dimension A	466	466	466	466	466
Dimension B	450	450	450	450	450
Dimension C	326	326	326	326	326
Dimension D	880	880	880	1264	1264
Dimension E	110	110	110	180	180
Dimension F	135	135	135	275	275
Dimension G	63	63	63	88	88
Dimension H	820	820	820	1174	1174

PRICES AND SPECS [mm]

JUMBOWEIGHER ATEX

