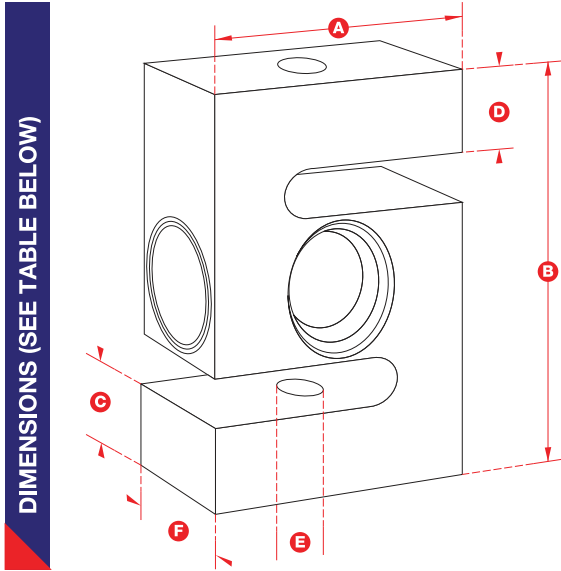


A range of non indicating S beam loadcells. Manufactured from stainless steel and sealed to IP68. Requires connection to our Handheld plus.



Part Number	SB500K	SB1T	SB2T	SB5T
Capacity	500kg	1000kg	2t	5t
Resolution	0.2kg	0.5kg	0.001t	0.001t
Weight	0.9kg	0.9kg	0.9kg	1.9kg
Protection	IP68			
Safety Factor	5:1			
Operating Temp	-30c - +80c			
Accuracy	±0.3% of applied load			
Dimension A	70	70	70	100
Dimension B	90	90	90	120
Dimension C	19	19	19	26
Dimension D	19	19	19	26
Dimension E	M12 x 1.75	M16 x 2	M16 x 2	M24 x 2
Dimension F	32	32	32	45