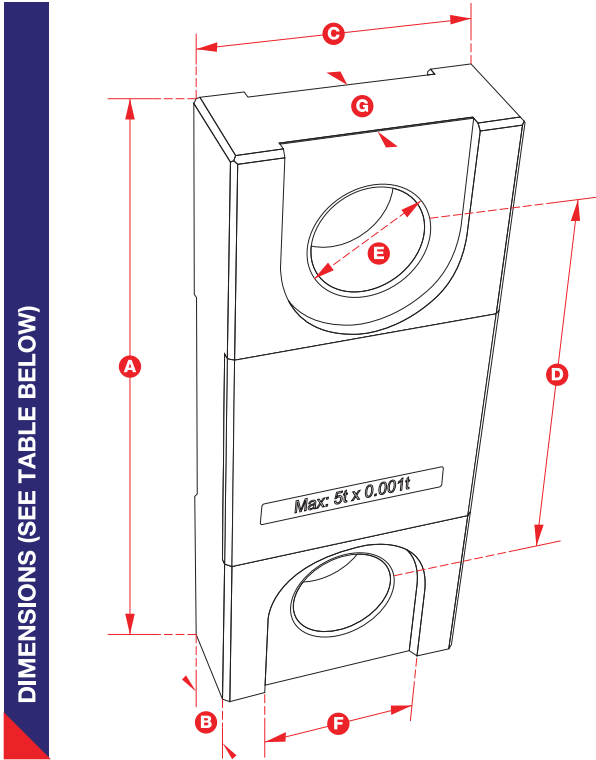




Non-indicating version of the Loadlink plus.
 Supplied with ten metres of cable as standard, other lengths are available on request.
 Supplied with carry case.
 Requires connection to our Handheld plus or use with optional analogue output detailed below.



DIMENSIONS (SEE TABLE BELOW)

PRICES AND SPECS [mm]	Part Number	WLP250KG	WLP500KG	WLP1T	WLP2T5	WLP5T	WLP12T	WLP25T	WLP50T	WLP100T	WLP200T	WLP250T	WLP500T*
	Capacity	250kg	500kg	1000kg	2.5t	5t	12t	25t	50t	100t	200t	250t	500t
	Resolution	0.1kg	0.2kg	0.5kg	0.001t	0.001t	0.002t	0.005t	0.01t	0.05t	0.1t	0.1t	0.2t
	Weight	1.5kg	1.5kg	1.5kg	1.5kg	2.2kg	3.5kg	5.2kg	10.9kg	37kg	80kg	80kg	260kg
	Safety Factor	50:1	25:1	12:1	5:1	5:1	5:1	5:1	5:1	4:1	5:1	4:1	1.5 : 1
	Protection	IP65											
	Op Temp	-10 to 50c											
	Accuracy	± 0.3% of applied load											
	Dimension A	204	204	204	204	249	305	340	424	608	690	690	900
	Dimension B	43	43	43	43	43	47	60	75	99	150	150	120
	Dimension C	101	101	101	101	101	101	110	163	255	305	305	380
	Dimension D	146	146	146	146	165	193	215	230	320	350	350	468
	Dimension E	24.5	24.5	24.5	24.5	38	47.5	55	76	108	125	125	183
Dimension F	47.5	47.5	47.5	47.5	66								
Dimension G	19	19	19	19	32								
Crosby Shackle	G210	G210	G210	G210	G210	G210	G210	G2140	G2140	G2140	G2140	G2160	

Options					
Part Number	ICA1	ICA2	ICA3	ICA4	ICA5
Description	3 wire 0-10v analogue output	3 wire 0-5v analogue output	4 wire ±10v analogue output	3 wire 4-20mA analogue output	2 wire 4-20mA analogue output

* Manufactured from steel.

