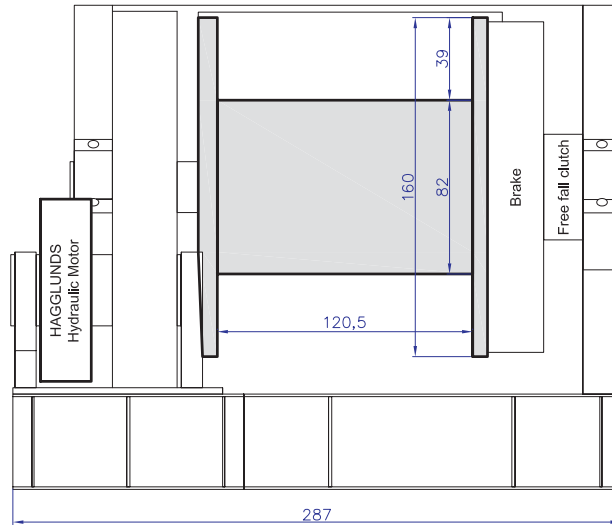




WINCH & HOIST CASPIAN LTD.

PUSNES 60 TONNE WINCH



FRONT VIEW

General description

This is a heavy duty compact winch ideal for the construction and offshore industries. Suitable for Hoisting, Deployment and Mooring applications.

The winch is driven by a Hagglund Viking Motor through an external spur gear system. The two speed hydraulic motor allows for high speed low torque and low speed high torque settings.

A hydraulically operated band brake and free wheel clutch are fitted to the drum flange.

Operator controls are mounted remotely on the hydraulic power pack which can be placed up to 8 meters from the winch.

The unit is maintenance friendly with all moving parts guarded.

LIFTING - PULLING - PUSHING - SOLUTIONS FOR THE CASPIAN REGION

ATLAS winches

IR Ingersoll-Rand

LARZEP

18 Salyan Hwy, Mayak, Baku, Azerbaijan Fax: (+994 12) 447 4750 E-mail: office@atlascaspian.co.az



WINCH & HOIST CASPIAN LTD.

PUSNES 60 TONNE WINCH

Technical Specification

ID No. AP60/003

Year: ReBuilt 2005.

Shipping Dimensions: L: 3.1m x W: 2.43m x H: 2.9m

Weight: 13000kgs Tare

Drive: Hagglund HD62/16.3 Ltr Two speed Motor

Brake Type: Band on drum

Brake Hold: 100+ tonne

HPU: 6 cylinder diesel. 125 Hp

Control System: Remote on HPU

Hydraulic System Pressure: 210 - 250 Bar

Hydraulic Flow: 160 L/m

HPU dimensions: L: 2.96m x W: 1.2m x H: 1.84m

HPU Weight: 2Tonne

Performance

(@ 160 L /min)

Low Speed

Bottom Layer: 60t @ 5.6m per min

Mid Drum: 39t @ 7.5m per min

Full Drum: 30t @ 10.1m per min

High speed

Bottom Layer: 40t @ 9.4m per min

Mid Drum: 28t @ 12.2m per min

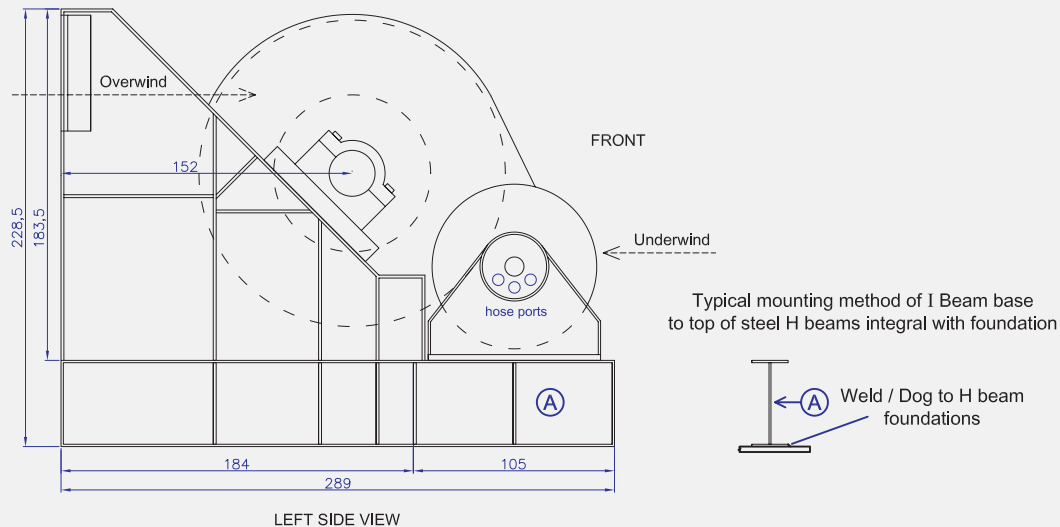
Full Drum: 20t @ 16.3m per min

Certification Package

MPI, Load Test & Slings
(Slings are balanced to suit winch)

Drum Dimensions

Wire Rope feed: Top (from rear) or Bottom (from front)
Core Dia: 82cm - Width between flanges: 120cm - Flange Dia: 160cm
Capacity: 750mtr 44mm (Standard)



LIFTING - PULLING - PUSHING - SOLUTIONS FOR THE CASPIAN REGION

ATLAS winches

IR Ingersoll Rand

LARZEP

18 Salyan Hwy, Mayak, Baku, Azerbaijan Fax: (+994 12) 447 4750 E-mail: office@atlascaspian.co.az