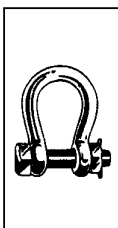


Index

	Englisch	Nederlands	Pag.
	THIMBLES	KOUSEN	
K1	Heart thimbles	Puntkousen	2
K2	Heavy duty stub-end thimbles	Profielkousen afgeknot	3
K2-B	Heavy duty stub-end thimble with plate	Profielkousen afgeknot versterkt	4
K3	Fibre-rope thimbles	Touwkousen	5
K3-B	Fibre-rope thimbles with plate	Touwkousen versterkt	6
K4	Trawler thimbles egg shaped / Round thimbles	Ei / Ronde / Container kousen	7
K5	Solid thimbles	Massieve kousen	8
K6	Din 3090 Thimbles	Din 3090 kousen	9
K8	Tube Thimbles	Pijpkousen	10
K10	Thimbles with link	Rekkerkous met schalm	11
K11	Tubular thimbles	Pijpkousen	12
K12	Tubular thimble with link	Pijpkousen met schalm	13
K13	Bellmouth thimbles	Klokkousen	14
K14	Cast thimbles	Gegoten kousen	15
K15	Superloop thimbles	Superloop kousen	16
	SHACKLES	SLUITINGEN	
H14	Rope shackle – sling protector	Rope sluiting	17
H10	Bow safety pin shackles	Hoogwaardige harp-moerbout sluiting	18
H11	Heavy duty double nut shackles	Hoogwaardige dubbelen moer sluiting	19
D14	End joining shackles		20
H12	Double pin connector shackles	Verbindingsluiting dubbele pen	20
D10	Crown pin shackles	Lasbout sluitingen	21
D11-D12-D13	D-Shackles acc. NEN 964 / DIN 82101	D-Sluiting vlg. NEN 964 / DIN 82101	22
	SOCKETS		
SO4	Cr-Socket		23
SO1	Closed spelter socket		24
SO2	Open spelter socket		25
SO3	Open wedge socket		26
SO5	S-type open spelter socket		27
	LINKS / CONNECTORS	SCHALMEN	
SC3	Cr-connectors	Cr verbinding schalmen	28
SC4	Pear connecting link	Peer verbinding schalmen	29
SC2	Connecting link for pennant lines	Verbinding schalm t.b.v. ankerdraad	30
SC1	Master links	Hoogwaardige schalm	31
	TURNBUCKLE	SPANWARTELS	
T2	Heavy duty turnbuckles	Spanwartels t.b.v. zware doeleinde	32
T1	Turnbuckle standard	Spanwartel standaard	33
	SWIVELS	WARTELS	
SW2	Cr-chain swivel	Ketting wartel	34
SW3	Cr-rope swivel	Staaldraad wartel	35
SW1	Closed body swivel	Wartel dicht huis	36
	HOOKS	HAKEN	
HK2	Eye-hook	Oog-haak	43
HK2 ROV	ROV-hook	ROV-haak	43
HK3	Heavy duty sliphook	Sliphaak t.b.v. zware doeleinde	44
HK4	Sliphook	Sliphaak	45
	SPECIALS	DIVERSEN	
TR1	Triangle plates	Driehoeks platen	37
WC1	Wire rope clips forged	Staaldraad klemmen	38
BL3	Snatch blocks	Voetblok	39
BL1	Vertical lead sheaves		40
BL2	2 Sheaves fairleads 360 grd turnable		41
CB1	Chain brackets		42

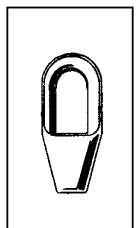
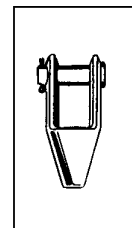


GN ROPE FITTINGS

GROFSMEDERIJ NIEUWKOOP BV

Zuideinde 123-139, 2421 AD Nieuwkoop, Holland

Tel. 31-172-579303, Fax 31-172-571073



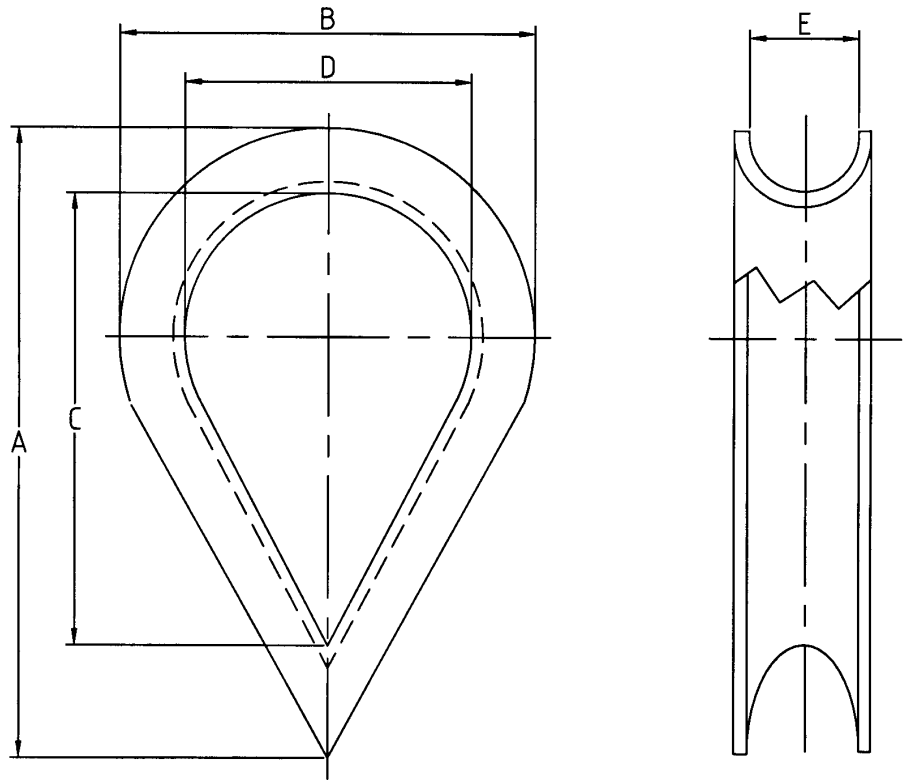
HEART THIMBLES PUNTKOUS

TYPE K1

Suitable for wire-rope / fibre rope

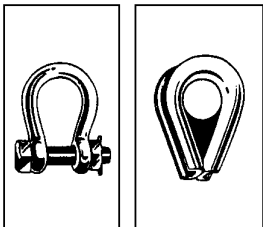
Material : Mild steel

Finish : Galvanised



Art.no.	A	B	C	D	E	Verpakking	Gewicht
	mm	mm	mm	mm	mm	Packing	Weight
							100pcs/kgs
10010000	1"	19	16	11	5	500	0.5
10015000	1½"	29	26	19	7	500	1.4
10020000	2"	31	28	22	9	250	3
10025000	2½"	41	39	25	11	250	5
10030000	3"	51	49	34	13	300	10
10035000	3½"	60	56	40	15	150	14
10040000	4"	68	65	45	17	100	19
10045000	4½"	75	70	50	19	75	24
10050000	5"	85	80	54	21	50	38
10055000	5½"	92	90	58	23	50	47
10060000	6"	110	100	75	25	40	48
10070000	7"	130	118	85	30	20	68

Special dimensions on request. Tolerance 5%

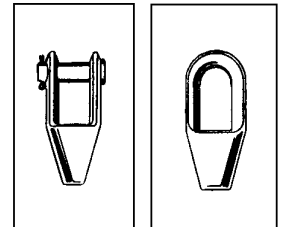


GN ROPE FITTINGS

GROFSMEDERIJ NIEUWKOOP BV

Zuideinde 123-139, 2421 AD Nieuwkoop, Holland

Tel. 31-172-579303, Fax 31-172-571073



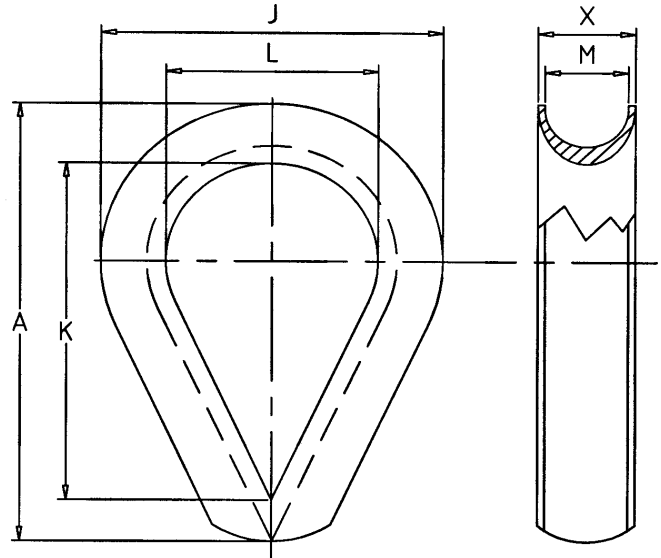
HEAVY DUTY STUB-END THIMBLES PROFIELKOUSEN AFGEKNOT

TYPE K2

Suitable for wire-ropes

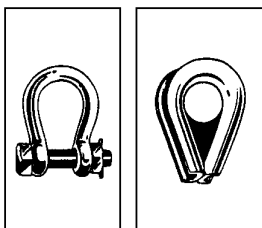
Material : Mild steel

Finish : Galvanised



Art. no.	A	J	K	L	M	X	Verpakking	Gewicht
	Inch	mm	mm	mm	mm	mm	Packing	Weight 100 pcs/kgs
11020000	2"	42	35	22	9	14	600	8
11025000	2½"	50	45	30	11	16	400	10
11030000	3	50	55	35	13	18	300	20
11035000	3½"	73	65	45	15	20	150	26
11040000	4"	75	75	50	17	22	150	36
11045000	4½"	85	80	53	19	25	75	50
11050000	5"	100	90	60	21	29	75	60
11055000	5½"	110	95	65	23	33	40	70
11060000	6"	115	120	70	25	34	40	100
11070000	7"	135	140	80	30	38	25	160
11080000	8"	155	160	100	33	44	20	180
11090000	9"	175	185	115	38	49		350
11100000	10"	190	195	120	41	52		440
11110000	11"	210	215	130	46	60		520
11120000	12"	225	240	140	52	65		730
11140000	14"	240	250	150	56	68		1100
11170000	17"	290	310	180	70	82		1700
11190000	19"	320	360	220	81	119		2800
11220000	22"	375	405	240	92	127		3400
11240000	24"	410	450	250	105	145		4400
11260000	26"	450	480	280	130	155		5600

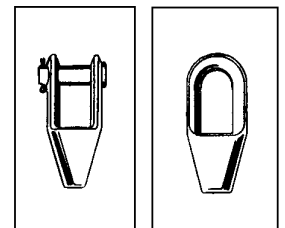
Special dimensions on request. Tolerance 5%



GN ROPE FITTINGS

GROFSMEDERIJ NIEUWKOOP BV

Zuideinde 123-139, 2421 AD Nieuwkoop, Holland
Tel. 31-172-579303, Fax 31-172-571073



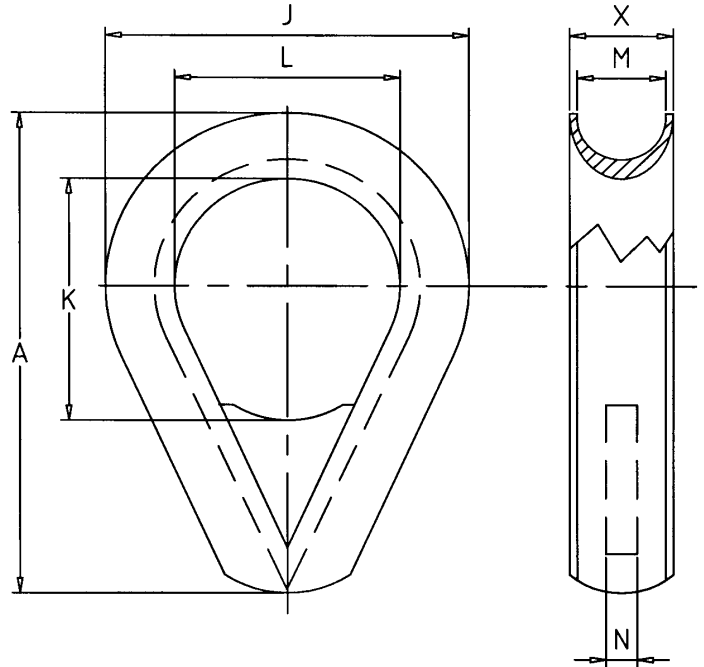
HEAVY DUTY STUB-END THIMBLES WITH PLATE TYPE PROFIELKOUSEN AFGEKNOT VERSTERKT

K2-B

Suitable for wire-ropes

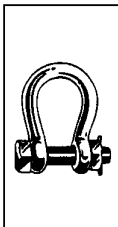
Material : Mild steel

Finish : Galvanised



Art. no.	A	J	K	L	M	N	X	Verpakking	Gewicht
	Inch	mm	mm	mm	mm	mm	mm	Packing	Weight
									100 pcs/kgs
11040999	4"	75	50	50	17	5	22	10	40
11045999	4½"	85	50	53	19	5	25	10	50
11050999	5"	100	60	60	21	5	29	10	80
11055999	5½"	110	60	65	23	5	33	10	90
11069999	6"	115	70	70	25	10	34	10	100
11079999	7"	135	75	80	30	10	38	10	170
11089999	8"	155	80	100	33	10	44		250
11099999	9"	175	110	115	38	10	49		400
11109999	10"	190	120	120	41	15	52		450
11119999	11"	210	120	130	46	15	60		700
11129999	12"	225	140	140	52	15	65		830
11149999	14"	240	150	150	56	20	68		1250
11179999	17"	290	185	180	70	20	82		1950
11199999	19"	320	225	220	81	20	119		2900
11229999	22"	375	280	240	92	20	127		3500
11249999	24"	410	280	250	105	25	145		4200
11269999	26"	450	280	280	130	30	155		5800

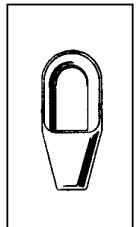
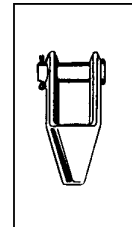
Special dimensions on request. Tolerance 5%



GN ROPE FITTINGS

GROFSMEDERIJ NIEUWKOOP BV

Zuideinde 123-139, 2421 AD Nieuwkoop, Holland
Tel. 31-172-579303, Fax 31-172-571073



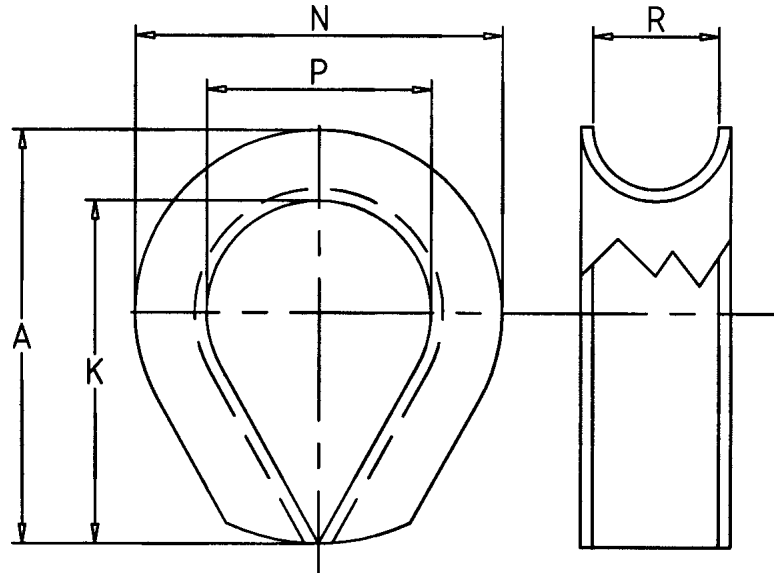
FIBRE-ROPE THIMBLES TOUWKOUSEN

TYPE K3

Suitable for fibre-rope

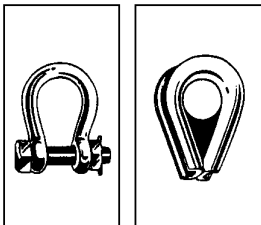
Material : Mild steel

Finish : Galvanised



Art. no.	A	N	K	P	R	Verpakking Packing	Gewicht Weight 100 pcs/kgs
	Inch	mm	mm	mm	mm		
12022500	2¼"	47	42	26	16	25	8
12025000	2½"	55	48	32	18	25	14
12030000	3"	64	58	38	20	25	25
12032500	3¼"	73	60	39	22	25	26
12035000	3½"	80	74	47	25	25	28
12040000	4"	75	78	50	32	50	34
12050000	5"	110	95	65	40	25	80
12060000	6"	120	115	75	48	10	90
12070000	7"	140	140	85	56	10	180
12080000	8"	160	160	105	64		310
12090000	9"	180	175	110	72		530
12100000	10"	200	190	120	80		650
12110000	11"	220	210	145	88		800
12120000	12"	245	230	150	102		1000
12140000	14"	300	290	170	115		1600
12160000	16"	320	310	185	130		2000
12180000	18"	350	340	205	150		3000
12200000	20"	380	370	235	170		5600

Special dimensions on request. Tolerance 5%

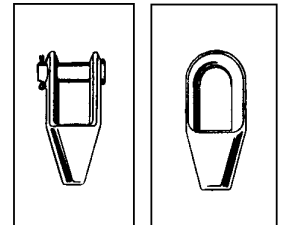


GN ROPE FITTINGS

GROFSMEDERIJ NIEUWKOOP BV

Zuideinde 123-139, 2421 AD Nieuwkoop, Holland

Tel. 31-172-579303, Fax 31-172-571073



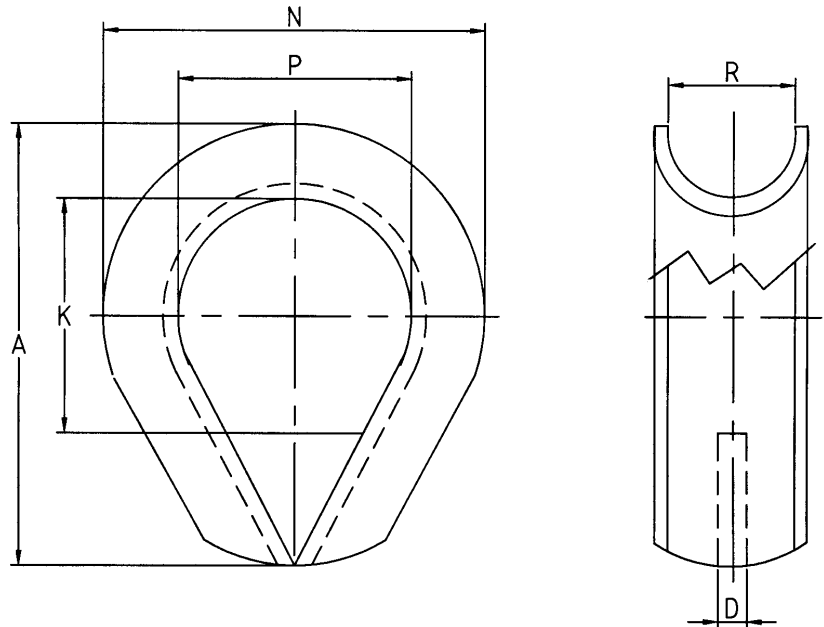
FIBRE-ROPE THIMBLES WITH PLATE TOUWKOUSEN VERSTERKT

TYPE **K3-B**

Suitable for fibre-rope

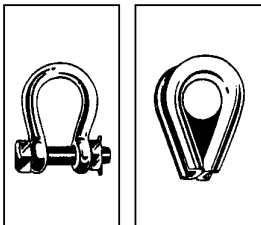
Material : Mild steel

Finish : Galvanised



Art. no.	A Inch	N mm	K mm	P mm	R mm	D mm	Verpakking Packing	Gewicht Weight 100 pcs/kgs
12059999	5"	110	50	65	40	10	10	80
12069999	6"	120	65	75	48	10	10	130
12079999	7"	140	90	85	56	10	10	190
12089999	8"	160	95	105	64	10	10	340
12099999	9"	180	100	110	72	10		580
12109999	10"	200	115	120	80	10		690
12119999	11"	220	135	145	88	15		850
12129999	12"	245	135	150	102	15		1200
12149999	14"	300	135	170	115	15		1950
12169999	16"	320	150	185	130	20		2000
12189999	18"	350	200	205	150	20		3000
12209999	20"	380	200	235	170	20		6500

Special dimensions on request. Tolerance 5%

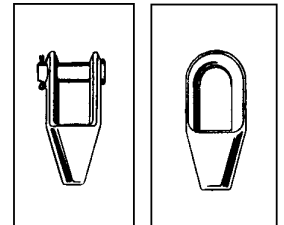


GN ROPE FITTINGS

GROFSMEDERIJ NIEUWKOOP BV

Zuideinde 123-139, 2421 AD Nieuwkoop, Holland

Tel. 31-172-579303, Fax 31-172-571073



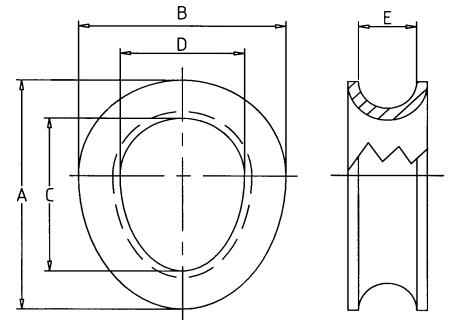
TRAWLER THIMBLES EGG SHAPED ROUND THIMBLES EI / RONDE / CONTAINER KOUSEN

TYPE K4

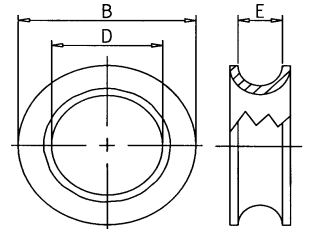
Suitable for wire-rope / fibre-rope

Material : Mild steel

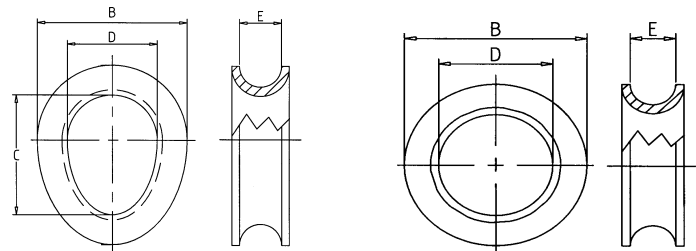
Finish : Galvanised



EI-KOUSEN. TRAWLER THIMBLES EGG SHAPED TYPE K4							
Art. no.	A Inch	B mm	C mm	D mm	E mm	Verpakking Packing	Gewicht Weight 100 pcs/kgs
13030000	3"	61	47	34	18	25	18
13035000	3½"	70	60	39	21	25	28
13040000	4"	93	72	54	24	25	45
13045000	4½"	97	80	55	27	25	55
13050000	5"	100	90	60	30	25	60
13060000	6"	115	102	68	36	10	73
13080000	8"	160	140	100	38	10	160



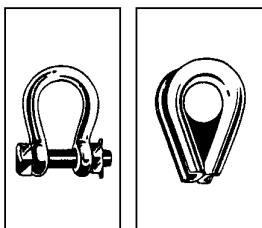
RONDE KOUSEN. ROUND THIMBLES							
Art. no.	A Inch	B mm	D mm	E mm	Verpakking Packing	Gewicht Weight 100 pcs/kgs	
131300000	2"	51	34	14	250	13	
131020000	2"	52	31	18	50	15	
131025000	2½"	68	41	21	25	21	
131030000	3"	72	48	26	25	28	
131035000	3½"	98	60	34	25	32	



RONDE / OVALE CONTAINERKOUSEN								
Art. no.		Uitvoering Finish	B mm	C mm	D mm	E mm	Verpakking Packing	Gewicht Weight 100 pcs/kgs
13880000	Rond / round	Self colour	81		50	18	25	45
13980000	Rond / round	Galv.	81		50	18	25	45
13800000	Ovale / oval	Self. colour	93	72	54	18	25	45
13900000	Ovale / oval	Galv.	93	72	54	18	25	45

SOLID THIMBLES

TYPE K5

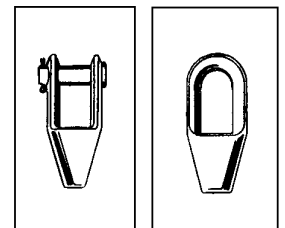


GN ROPE FITTINGS

GROFSMEDERIJ NIEUWKOOP BV

Zuideinde 123-139, 2421 AD Nieuwkoop, Holland

Tel. 31-172-579303, Fax 31-172-571073

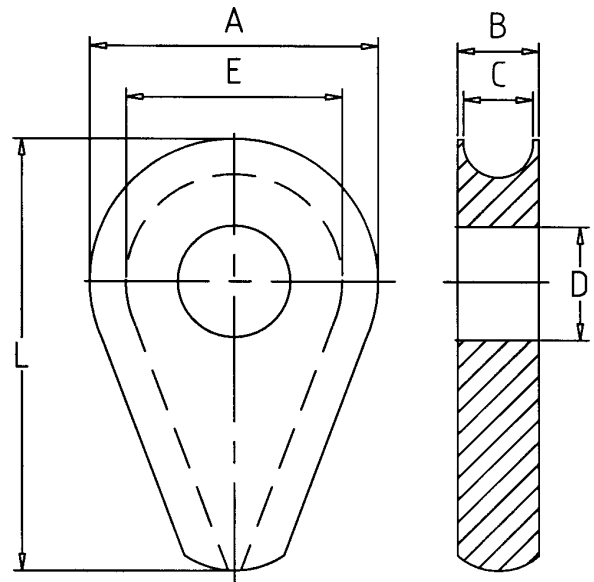


MASSIEVE KOUSEN

Suitable for wire-rope

Material : Duc tail iron GGG50

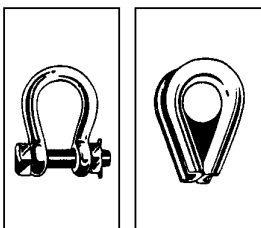
Finish : Painted / galvanised



Art. no.	Size Inch	Suitable for wire mm	L mm	A mm	B mm	C mm	D mm	E mm
16020014	2"	8	66	40	15	9	14	31
16025018	2½"	10	82	50	18	11	18	38
16030021	3"	12	98	60	20	13	21	45
16035025	3½"	14	114	70	24	16	25	53
160400XX	4"	16/18	110	75	26	19	30/40	58
160500XX	5"	20/22	130	90	30	23	30/40/45	63
160600XX	6"	23/25	155	115	33	26	30/40/45/55	87
160700XX	7"	28/30	175	122	42	32	30/40/52/60	91
160800XX	8"	32/34	195	140	45	35	30/42/55/70	100
160900XX	9"	36/38	225	160	47	39	50/70/90	122
16100XXX	10"	40/42	250	170	60	43	50/70/90/100	127
16120XXX	12"	44/48	300	230	70	52	80/105	180
16140XXX	14"	50/55	345	230	82	60	75/110	171
16170XXX	17"	58/65	431	290	95	66	85/122	230
16240XXX	24"	70/75	597	387	117	82	130	310

Tolerance 5%

Special holes for fittings or holes with bushes on request.

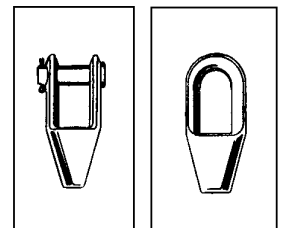


GN ROPE FITTINGS

GROFSMEDERIJ NIEUWKOOP BV

Zuideinde 123-139, 2421 AD Nieuwkoop, Holland

Tel. 31-172-579303, Fax 31-172-571073



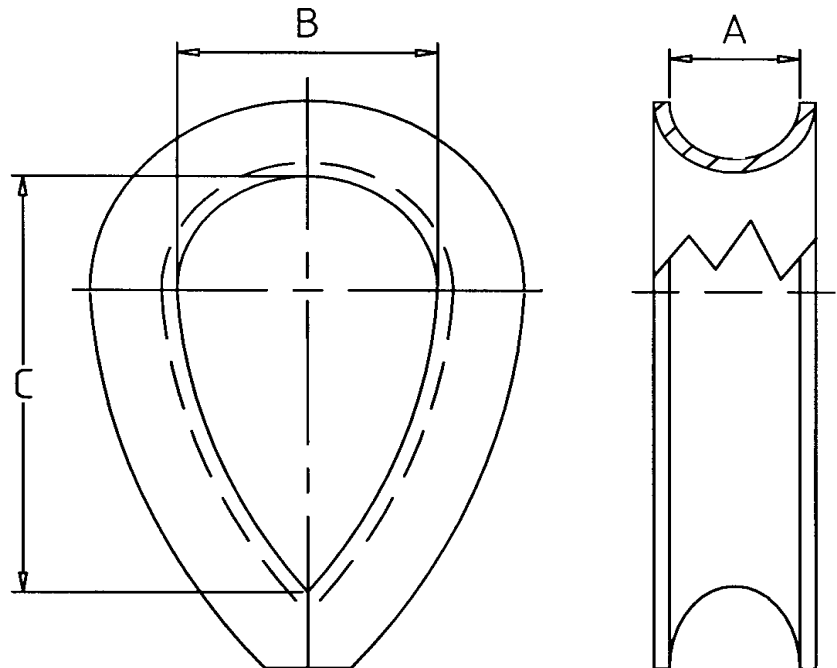
THIMBLES ACCORDING DIN 3090 KOUSSEN VOLGENS DIN 3090

TYPE K6

Suitable for wire-rope

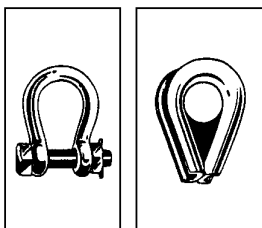
Material : Mild steel

Finish : Galvanised



Art. no.	Dia wire-rope mm	A mm	B mm	C mm	Verpakking Packing	Gewicht Weight 100 pcs/kgs
19000600	6	7	15	30	1000	3
19000800	8	9	20	40	500	7
19001000	10	11	25	50	300	17
19001200	12	13	30	60	200	24
19001400	14	16	35	70	150	36
19001600	16	18	40	80	100	50
19001800	18	20	45	90	60	62
19002000	20	22	50	100	50	90
19002200	22	24	55	110	40	100
19002400	24	26	60	120	30	130

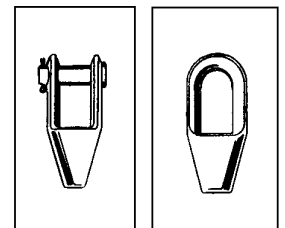
Tolerance 5%



GN ROPE FITTINGS

GROFSMEDERIJ NIEUWKOOP BV

Zuideinde 123-139, 2421 AD Nieuwkoop, Holland
Tel. 31-172-579303, Fax 31-172-571073



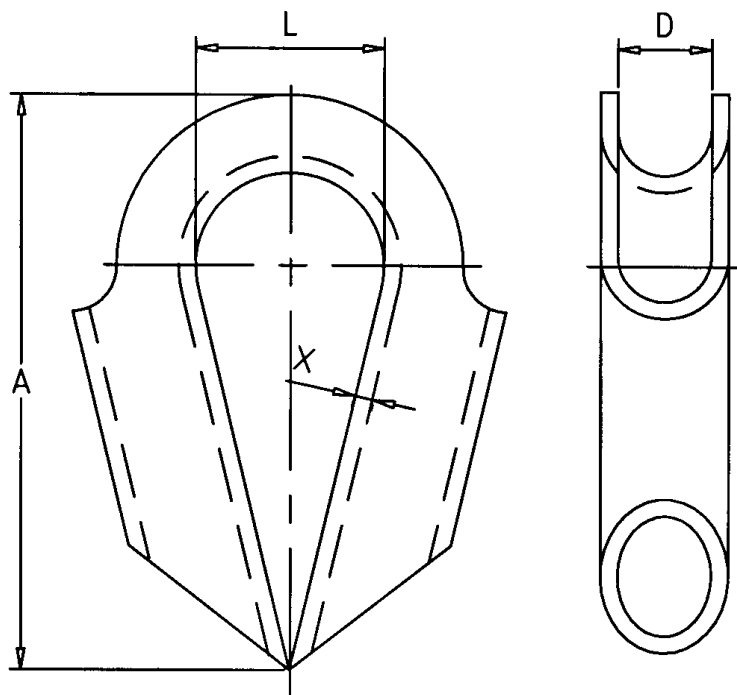
TUBE TIMBLES / WITH PLATE PIJPKOUSEN / VERSTERKT

TYPE K8

Suitable for hemp-rope / wire-rope

Material : Mild steel

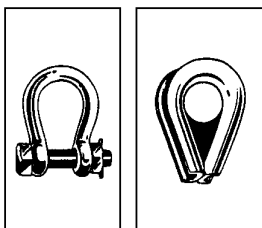
Finish : Painted



With plate on request

Art. no.	Rope size	D mm	A mm	L mm	X mm	Verpakking	Gewicht Weight 100 pcs/kgs
	Inch					Packing	
15100000	10	12	91	24	4	25	22
15120000	12	15	107	26	5	25	38
15140000	14	17	117	27	4	25	35
15160000	16	19	120	33	5	20	60
15180000	18	22	140	36	5	20	80
15220000	22	25	183	48	6.3	10	150
15250000	25	30	195	50	7	10	200
15320000	32	35	215	65	7	10	260

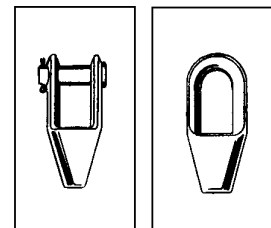
Tolerance 5%



GN ROPE FITTINGS

GROFSMEDERIJ NIEUWKOOP BV

Zuideinde 123-139, 2421 AD Nieuwkoop, Holland
Tel. 31-172-579303, Fax 31-172-571073



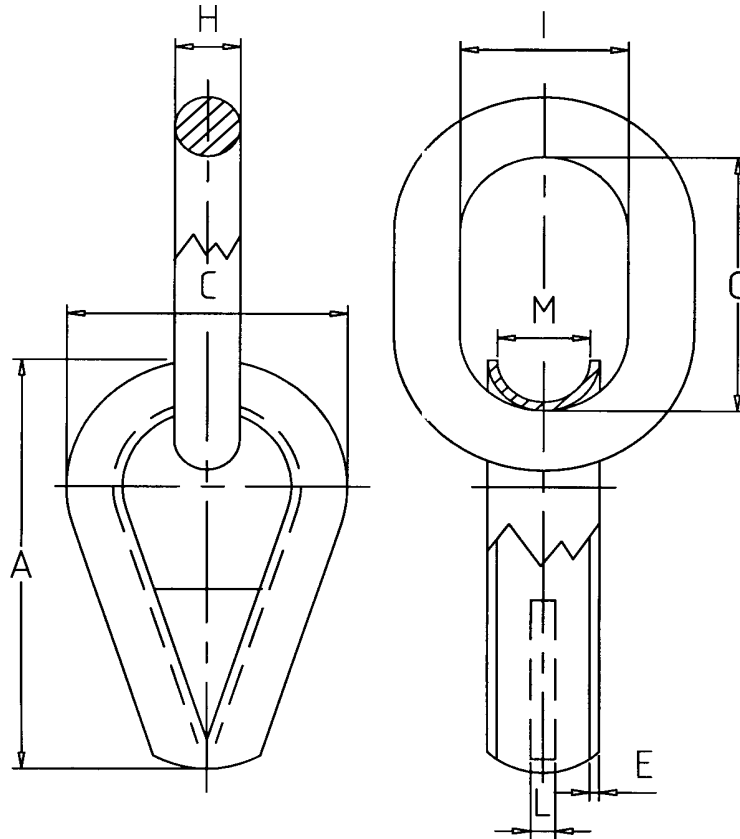
THIMBLES WITH LINK REKKERKOUSSEN MET SCHALM

TYPE K10

Suitable for fibre-rope

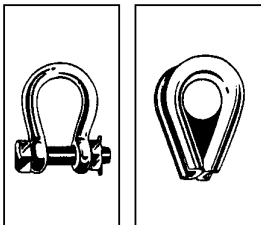
Material : Thimbles mild steel, Link high alloy steel

Finish : Painted



Art. no.	Rope Size Inch	A mm	C mm	E mm	L mm	M mm	H mm	G mm	I mm	MBL Link tons	Gewicht t Weight kgs
17090000	9/10½"	370	290	15	16	96/100	51	350	190	144	37
17090000	9/10½"	370	290	15	16	96/100	57	400	200	188	45
17120000	12½/13"	450	330	20	20	110/115	57	400	200	188	57
17120000	12½/13"	450	330	20	20	110/115	63	430	230	232	64
17140000	14/15"	520	370	20	20	130/135	63	430	230	232	80
17140000	14/15"	520	370	20	20	130/135	72	440	250	336	94
17140000	16/18"	580	390	20	20	150/155	72	440	250	336	98
17140000	16/18"	580	390	20	20	150/155	80	450	250	420	114
17190000	19/20"	600	440	20	20	165/170	80	450	250	420	127
17190000	19/20"	600	440	20	20	165/170	90	460	300	524	140
17210000	20/21"	600	440	20	20	175/180	90	460	300	524	180
17210000	20/21"	600	440	20	20	175/180	100	500	300	628	195
17210000	20/21"	600	440	20	20	175/180	125	650	400	1000	285

Link can be connected to any thimble. Tolerance 5%

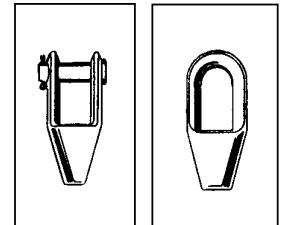


GN ROPE FITTINGS

GROFSMEDERIJ NIEUWKOOP BV

Zuideinde 123-139, 2421 AD Nieuwkoop, Holland

Tel. 31-172-579303, Fax 31-172-571073



TUBULAR THIMBLES PIJPKOUSEN

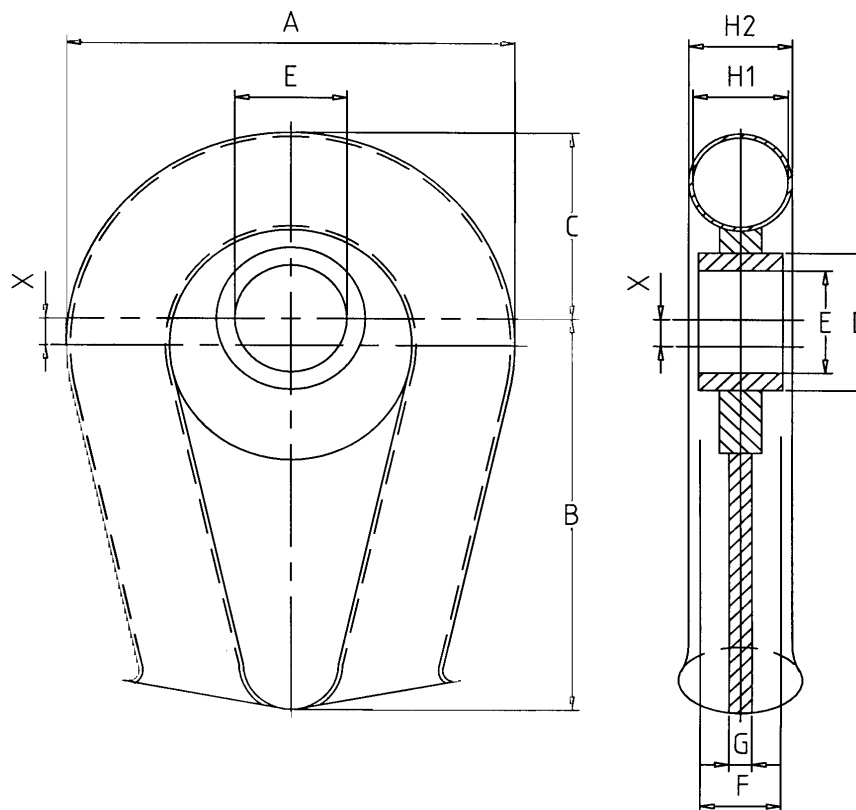
TYPE K11

Suitable for fibre-rope

Material : Mild steel

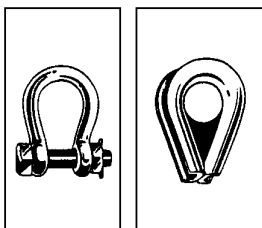
Finish : Galvanised

Plastic coating on request



Art. no.	Rope size Inch	A mm	B mm	C mm	D mm	E mm	F mm	G mm	X mm	H1 mm	H2 mm	Gewicht Weight kgs
18000600	6"	254	200	110	-	60	-	30	-	64	70	22
18000800	8"	305	250	153	-	80	-	40	-	82	89	26
18001000	10"	419	360	210	168	124	105	15	-	105	114	34
18001200	12"	521	420	260	194	144	130	20	10	130	140	50
18001500	15"	625	510	312	194	144	150	25	40	158	168	80
18001800	18"	727	610	368	219	169	175	30	40	183	194	140
18002100	21"	829	740	415	219	169	200	30	40	206	219	180
18002400	24"	930	880	465	273	201	225	40	40	229	245	260
18002700	27"	1035	1020	517	273	201	250	50	40	260	273	380

Tolerance 5%

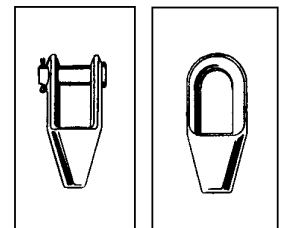


GN ROPE FITTINGS

GROFSMEDERIJ NIEUWKOOP BV

Zuideinde 123-139, 2421 AD Nieuwkoop, Holland

Tel. 31-172-579303, Fax 31-172-571073



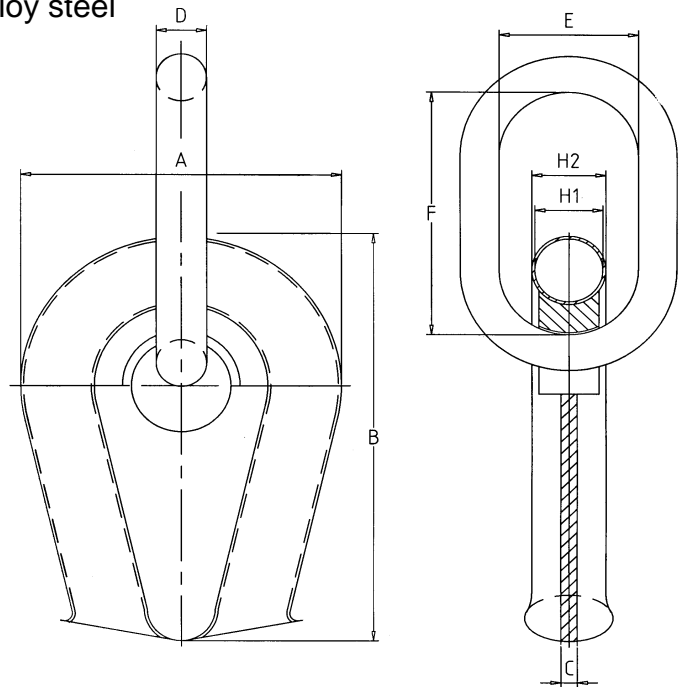
TUBULAR THIMBLE WITH LINK PIJKOUSEN MET SCHALM

TYPE K12

Suitable for fibre rope

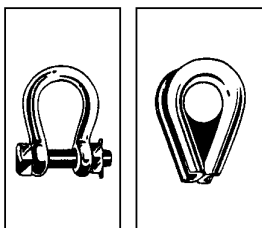
Material : Thimble mild steel, Link high alloy steel

Finish : Painted
Plastic coating only on request



Art. no.	Rope Size Inch	A mm	B mm	C mm	H1 mm	H2 mm	D mm	E mm	F mm	MBL Link tons	Gewicht t Kgs
18000632	6"	254	310	30	64	70	32	110	200	40	26
18000636	6"	254	310	30	64	70	36	140	260	64	28
18000645	6"	254	310	30	64	70	45	180	340	104	35
18000836	8"	305	555	40	82	89	36	140	260	64	32
18000845	8"	305	555	40	82	89	45	180	340	104	39
18000851	8"	305	555	40	82	89	51	190	350	144	43
18001045	10"	419	570	15	105	114	45	180	340	104	48
18001051	10"	419	570	15	105	114	51	190	350	144	51
18001057	10"	419	570	15	105	144	57	200	400	188	59
18001263	12"	521	680	20	130	140	63	230	430	232	82
18001272	12"	521	680	20	130	140	72	250	440	336	96
18001280	12"	521	680	20	130	140	80	250	450	420	115
18001572	15"	625	822	25	158	168	72	250	440	336	126
18001580	15"	625	822	25	158	168	80	250	450	420	142
18001590	15"	625	822	25	158	168	90	300	460	524	165
18001880	18"	727	978	30	183	194	80	250	450	420	202
18001890	18"	727	978	30	183	194	90	300	460	524	215
18001810	18"	727	978	30	183	194	100	300	500	628	235
18002190	21"	829	1155	30	206	219	90	300	460	524	255
18002110	21"	829	1155	30	206	219	100	300	500	628	283
18002112	21"	829	1155	30	206	219	125	400	650	1000	320
18002410	24"	930	1345	40	229	245	100	300	500	628	360
18002412	24"	930	1345	40	229	245	125	400	650	1000	420

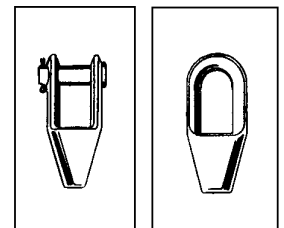
Links can be connected to any thimble. Tolerance 5%



GN ROPE FITTINGS

GROFSMEDERIJ NIEUWKOOP BV

Zuideinde 123-139, 2421 AD Nieuwkoop, Holland
Tel. 31-172-579303, Fax 31-172-571073



BELLMOUTH THIMBLES KLOKKOUSEN

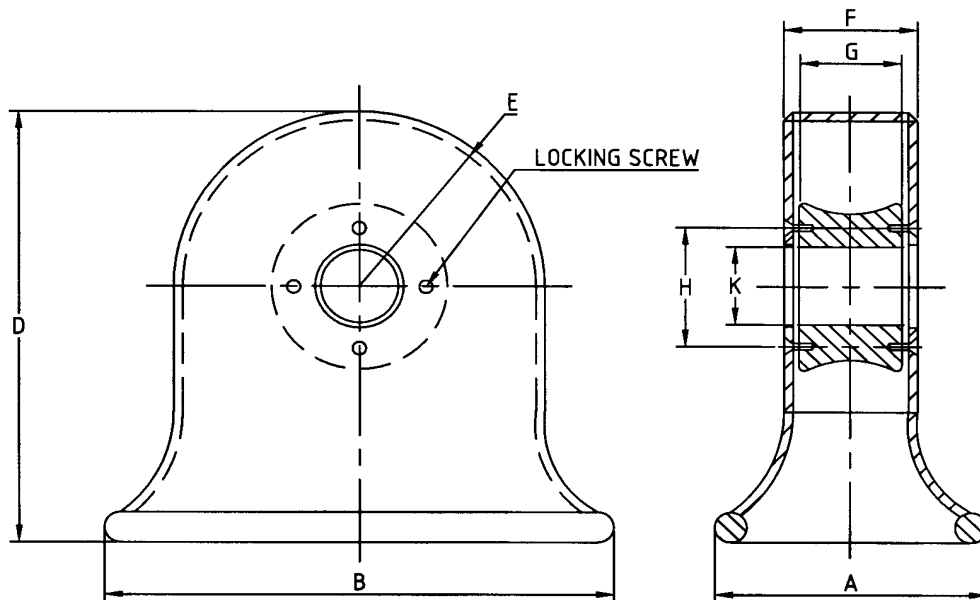
TYPE K13

Suitable for fibre rope

Material : Mild carbon steel / Stainless steel

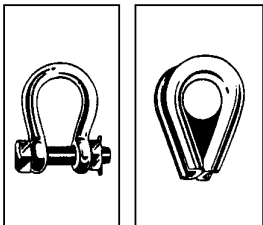
Finish : Galvanised

* note : For connecting to a special shackle
we can change dimension K on request



Art. no.	Rope Size Inch	A	B	D	E	F	G	H	K	Gewicht Weight Kgs.
		mm	mm	mm	mm	mm	mm	mm	mm	
18012009	10"-12"	366	606	480	195	166	147	146	86	80
18015009	15"-16"	440	746	608	248	191	172	186	105	125
18018009	18"-21"	454	844	660	300	226	207	210	118	175

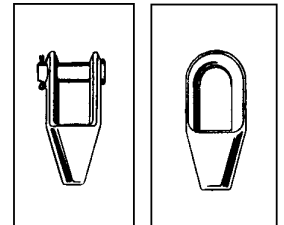
Tolerance 5%



GN ROPE FITTINGS

GROFSMEDERIJ NIEUWKOOP BV

Zuideinde 123-139, 2421 AD Nieuwkoop, Holland
Tel. 31-172-579303, Fax 31-172-571073



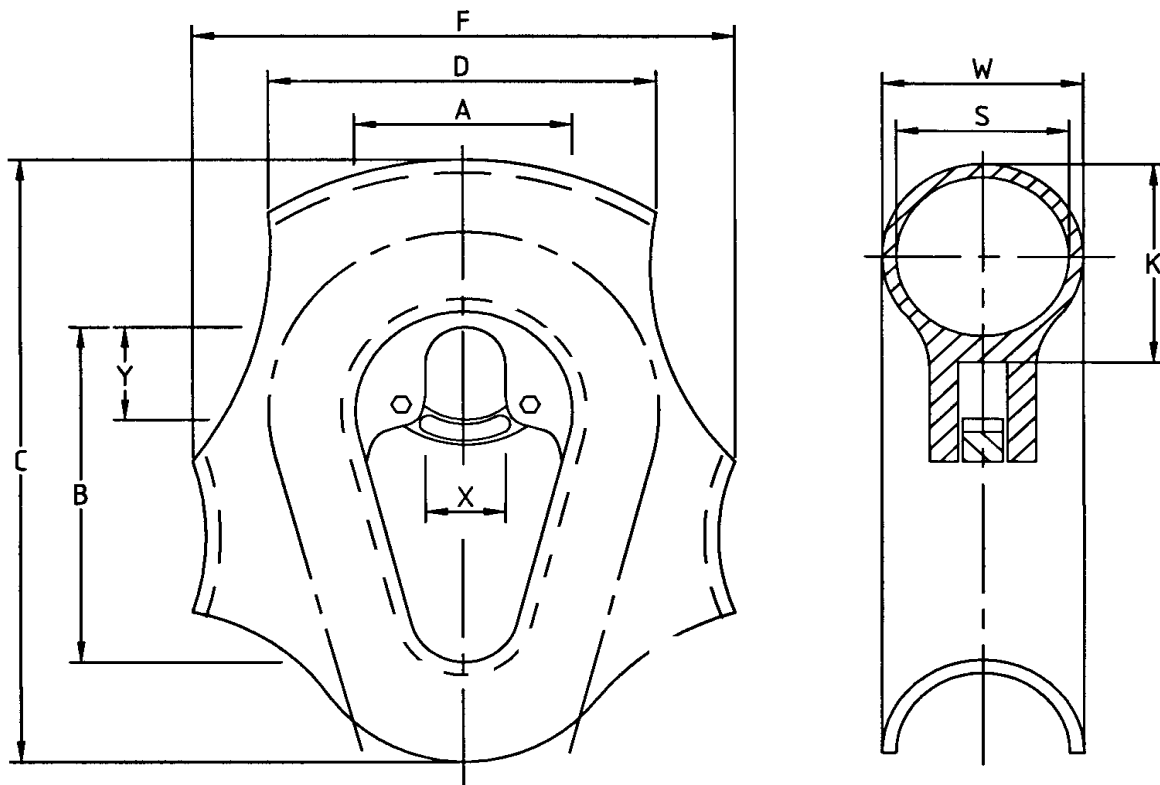
CAST THIMBLES GEGOTEN KOUSEN

TYPE K14

Suitable for fibre rope

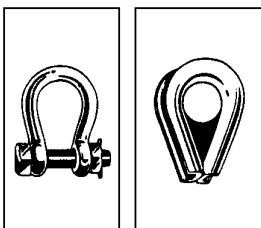
Material : Cast steel / Stainless steel

Finish : Galvanised
Plastic coating on request



Art. no.	Rope size inch	S mm	A mm	B mm	C mm	D mm	F mm	K mm	W mm	X mm	Y mm	Gewicht Weight Kgs.
16001113	11"-13"	120	170	330	540	330	476	175	160	89	85	40
16001415	14"-15"	150	252	367	655	480	607	200	183	100	124	78
16001618	16"-18"	187	280	420	795	551	724	254	212	128	128	115
16001921	19"-21"	215	335	497	940	665	875	309	267	150	180	296

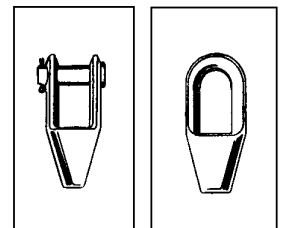
Tolerance 5%



GN ROPE FITTINGS

GROFSMEDERIJ NIEUWKOOP BV

Zuideinde 123-139, 2421 AD Nieuwkoop, Holland
Tel. 31-172-579303, Fax 31-172-571073



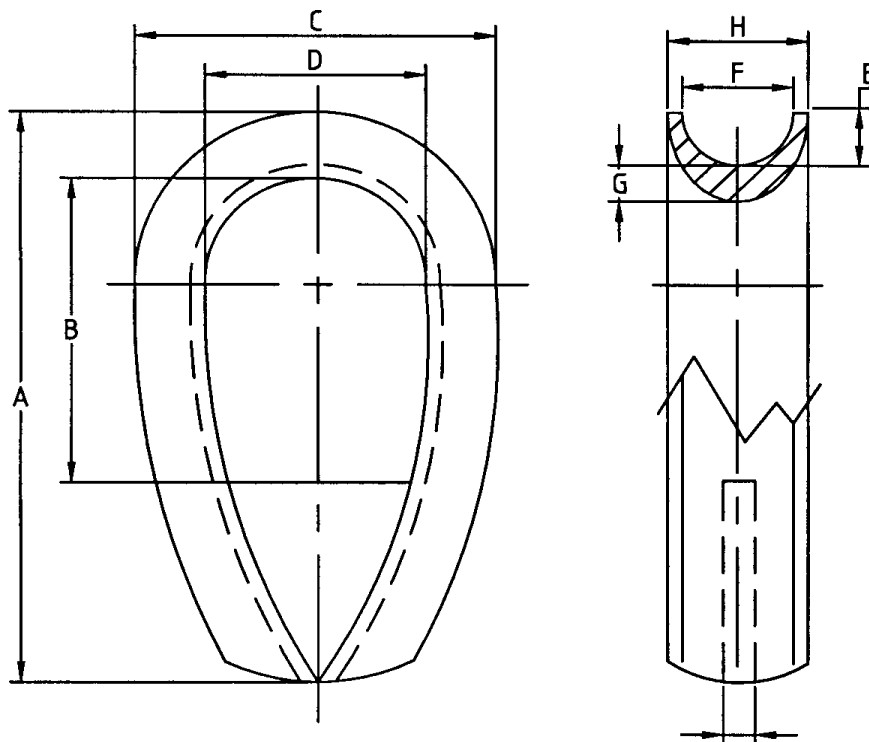
SUPERLOOP THIMBLES SUPERLOOP KOUSEN

TYPE K15

Suitable for wire-ropes

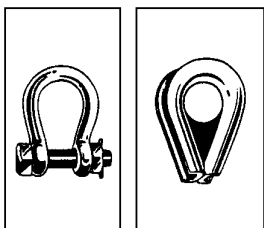
Material : Mild steel

Finish : Galvanised / self coloured



Art. no.	Rope size inch	A mm	B mm	C mm	D mm	E mm	F mm	G mm	H mm	I mm	Gewicht Weight Kgs.
1114099..	2"	490	250	280	178	26	56	20	96	20	18
1117099..	2½"	490	255	305	180	38	68	20	85/105	20	26
1119099..	3"	540	300	300	180	42	85	20	120	20	33

Tolerance 5%

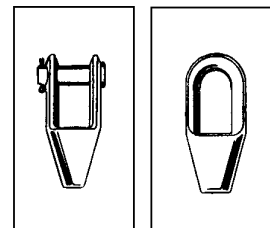


GN ROPE FITTINGS

GROFSMEDERIJ NIEUWKOOP BV

Zuideinde 123-139, 2421 AD Nieuwkoop, Holland

Tel. 31-172-579303, Fax 31-172-571073



GN FORGED ROPE SHACKLE SLING PROTECTOR

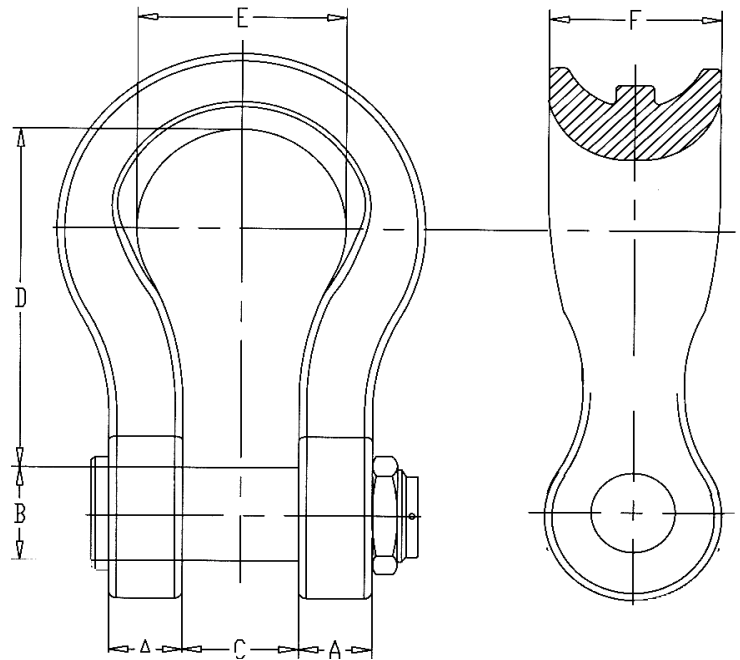
TYPE H14

Material : Alloy steel quenched and tempered
 Safety factor : 5 times
 Finish : Painted

Certificates

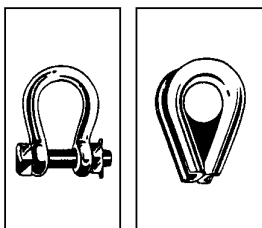
Standard : 3.1B material
 Manufacturer
 Proofload

On request : 3.1C material certificate
 DNV. Lloyds. ABS. BV etc.
 MPI & US inspection



Art. no.	S.w.l. Ton	A mm	B mm	C mm	D mm	E mm	F mm	Gewicht Weight kgs
36000075	75	70	70	105	290	186	120	70
36000125	125	85	80	130	365	220	150	120
36000150	150	90	95	140	390	250	170	160
36000200	200	100	105	150	480	275	205	230
36000250	250	110	120	170	540	300	240	320
36000300	300	120	134	185	600	350	265	340
36000400	400	150	160	220	575	370	320	620
36000500	500	160	180	250	680	450	340	800
36000600	600	170	200	275	740	490	365	960
36000700	700	190	215	300	750	540	400	1250
36000800	800	200	230	325	850	555	420	1400
36000900	900	220	255	350	850	580	440	1650
36001000	1000	240	270	380	850	615	460	2100
36001250	1250	260	300	430	930	640	530	2400
36001500	1500	280	320	460	950	680	560	2800

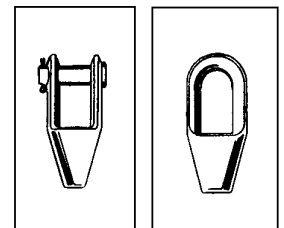
Tolerance 5%



GN ROPE FITTINGS

GROFSMEDERIJ NIEUWKOOP BV

Zuideinde 123-139, 2421 AD Nieuwkoop, Holland
 Tel. 31-172-579303, Fax 31-172-571073



GN BOW SAFETY PIN SHACKLE H10

TYPE

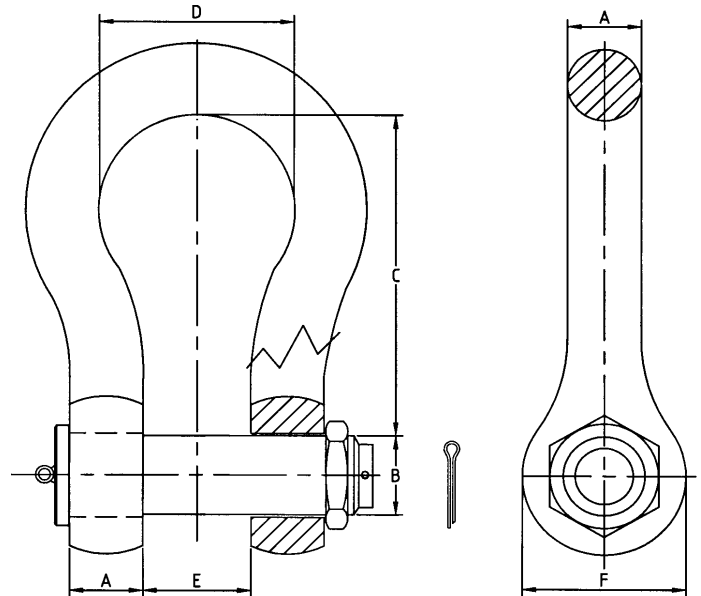
Material : **FORGED STEEL**
Finish : Painted / galvanised

Certificates

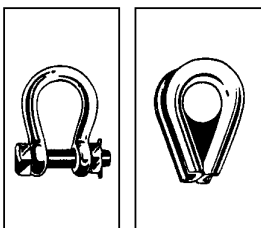
Standard : 3.1B material
Manufacturer
On request : 3.1C material certificate
Proofload certificate
DNV. Lloyds. ABS. BV etc.
MPI & US inspection

Up to 120 T : Material forged high tensile steel
Safety 6 times
Generally to U.S. Federal Spec
RR-C-271

Above 120 T : Material forged high alloy steel
Safety 5 times

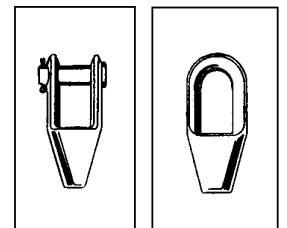


Art. no.	S.w.l. tons	A mm	B mm	E mm	C mm	D mm	F mm	Gewicht Weight Kgs.
37000259	25	45	50	74	178	126	105	15
37000359	35	50	57	83	197	146	115	21
37000559	55	65	70	105	254	185	150	41
37000859	85	75	80	127	330	190	165	63
37001109	110	80	82	127	330	200	180	70
37001209	120	89	95	150	381	238	200	110
37001409	140	90	95	133	381	238	200	105
37001509	150	102	108	170	400	275	230	160
37001759	175	102	108	140	400	250	230	150
37002009	200	120	125	180	500	290	275	235
37002509	250	125	140	200	540	305	280	285
37003009	300	135	150	200	600	305	305	340
37004009	400	165	175	225	650	325	350	560
37005009	500	175	185	250	700	350	370	685
37006009	600	195	205	275	700	375	405	880
37007009	700	205	215	300	700	400	435	980
37008009	800	210	220	300	700	400	435	1100
37009009	900	220	230	320	700	420	465	1280
37010009	1000	230	240	340	700	420	480	1460

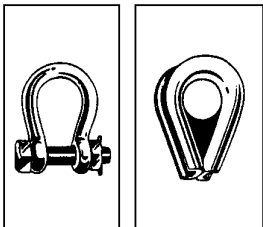


GN ROPE FITTINGS

GROFSMEDERIJ NIEUWKOOP BV
Zuideinde 123-139, 2421 AD Nieuwkoop, Holland
Tel. 31-172-579303, Fax 31-172-571073



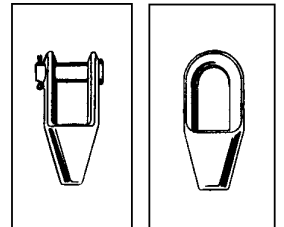
Tolerance: 5%



GN ROPE FITTINGS

GROFSMEDERIJ NIEUWKOOP BV

Zuideinde 123-139, 2421 AD Nieuwkoop, Holland
Tel. 31-172-579303, Fax 31-172-571073

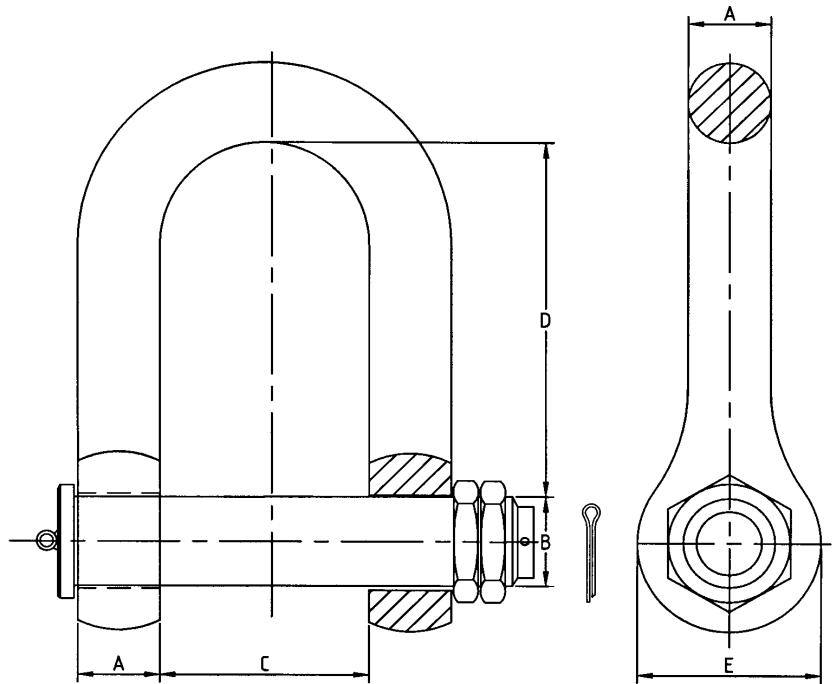


GN HEAVY DUTY DOUBLE NUT SHACKLE

TYPE H11

Material : **FORGED HIGH ALLOY STEEL**
 Safety : 5 times
 Finish : Painted / galvanised

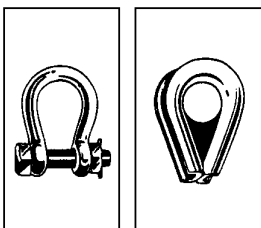
Certificates
 Standard : 3.1B material manufacturer
 On request : 3.1C material certificate
 Proofload certificate
 DNV. Lloyds. ABS. BV etc.
 MPI & US inspection



Art. no.	S.w.l. tons	Thimble size inch	A mm	B mm	C mm	D mm	E mm	Gewicht Weight Kgs.
38060000	60	12-13"	65	76	175	350	165	65
38085000	85	14-15"	80	90	220	390	178	87
38110000	110	16-18"	90	102	254	430	210	146
38130000	130	19-21"	100	114	280	480	235	194
38175000	175	22-23"	125	133	300	600	265	354
38225000	225	24" - >	130	146	333	720	305	410
38300000	300		140	165	366	850	305	560

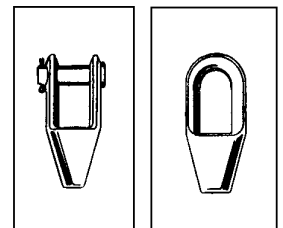
Tolerance: 5%

note: ensure that the load is in the centre of the pin. If there is too much space in the jaw gap, we advise to use washers.



GN ROPE FITTINGS

GROFSMEDERIJ NIEUWKOOP BV
 Zuideinde 123-139, 2421 AD Nieuwkoop, Holland
 Tel. 31-172-579303, Fax 31-172-571073

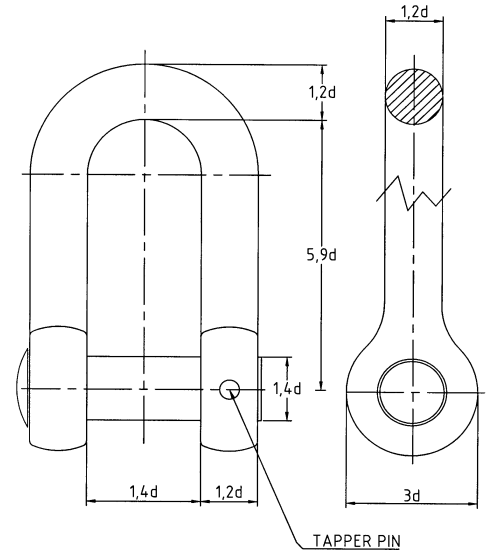


END JOINING SHACKLES WITH ROUND PIN

TYPE D14

Material : **FORGED STEEL**
 Safety : 5 times
 Finish : Painted

Certificates
 Standard : 3.1B material manufacturer
 On request : 3.1C material certificate
 Proofload certificate
 DNV. Lloyds. ABS. BV etc.
 MPI & US inspection



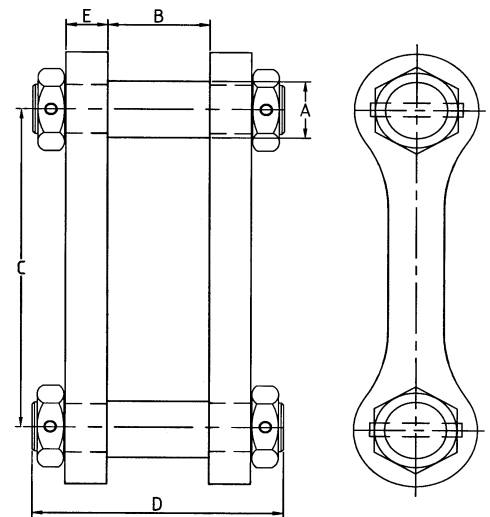
Dimensions for shackles are calculated by multiplying the **common link** size by the factor shown in this drawing.

DOUBLE PIN CONNECTOR SHACKLE

TYPE H12

Material : Body high tensile steel, pin high alloy steel
 Finish : Painted / galvanised

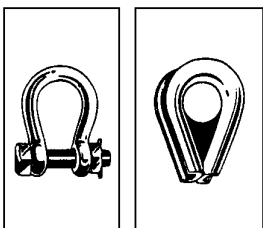
Certificates
 Standard : 3.1B material manufacturer
 On request : 3.1C material certificate
 Proofload certificate
 DNV. Lloyds. ABS. BV etc.
 MPI & US inspection



Art. no.	Thimble size inch	B.L. Tons	P.L. Tons	A mm	B mm	C mm	D mm	E mm
38001200	12"	500	300	110	170	540	510	90
38001500	15"	500	300	110	200	540	540	90
38001800	18"	500	300	110	225	710	565	90
38002100	21"	500	300	110	250	710	590	90

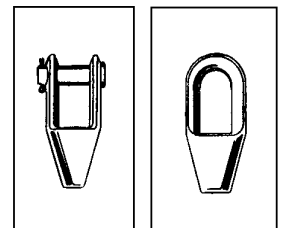
Tolerance: 5%

note: ensure that the load is in the centre of the pin. When there is too much space in the jaw gap, we advise to use washers.



GN ROPE FITTINGS

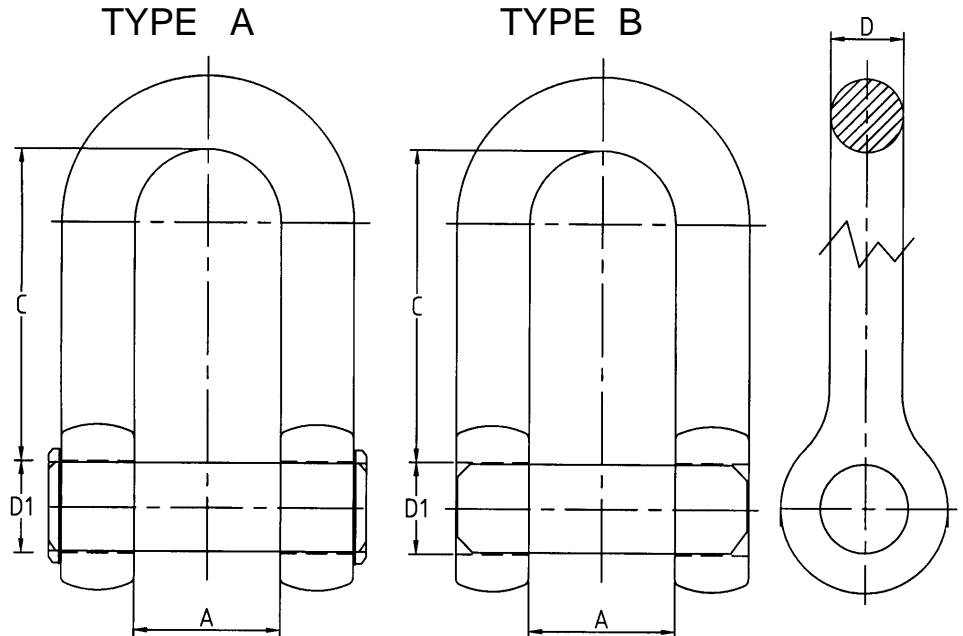
GROFSMEDERIJ NIEUWKOOP BV
 Zuideinde 123-139, 2421 AD Nieuwkoop, Holland
 Tel. 31-172-579303, Fax 31-172-571073



CROWN PIN SHACKLES ANKER SLUITINGEN

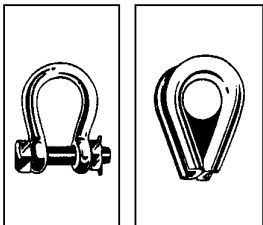
TYPE D10

Material : High tensile steel
 Finish : Self-coloured
 Certificates : On request



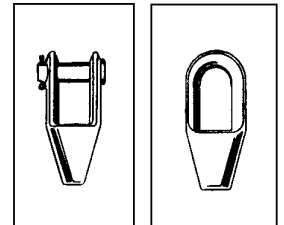
Art. no.	D mm	D1 mm	A mm	C mm	Gewicht Weight Kgs.
	42	48	66	147	9.5
	48	52	73	158	13.5
	52	60	81	185	17
	60	68	90	211	26
	65	72	100	221	33
	70	80	110	246	49
	80	90	125	276	70
	90	100	140	307	90
	100	110	155	339	125
	110	125	175	385	180
	125	140	200	430	260
	140	150	210	475	335
	150	160	220	525	413
	160	170	235	560	500
	170	180	250	610	601
	180	190	270	650	716
	190	200	280	690	839

Tolerance: 5%



GN ROPE FITTINGS

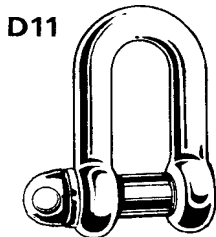
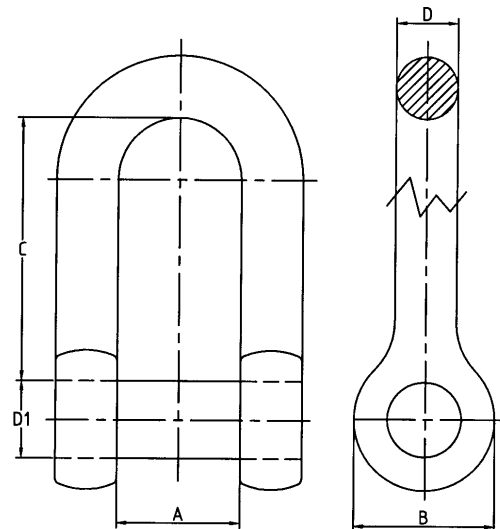
GROFSMEDERIJ NIEUWKOOP BV
 Zuideinde 123-139, 2421 AD Nieuwkoop, Holland
 Tel. 31-172-579303, Fax 31-172-571073



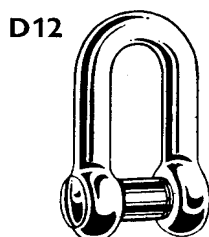
D-SLUITING NEN 964 / DIN 82101 D-SHACKLE NEN 964 / DIN 82101

TYPE D11-D12-D13

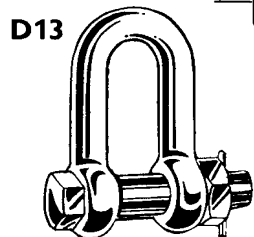
Materials : Body and pin high tensile steel
Finish : Self coloured / galvanised
Certificates : On request



D11
Borstbout
Screwcollar pin



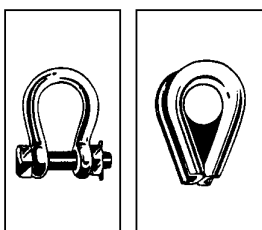
D12
Verzonken bout
Countersunk head



D13
Moerbout + moer + splitpen
Hexagonal pin + nut

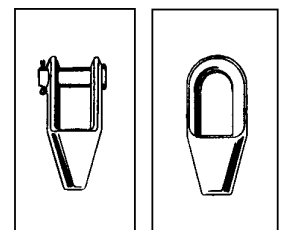
Art. no.	S.w.l. tons	D mm	D1 mm	A mm	C mm	B mm	Verpakking Packing	Gewicht Weight Kgs.
310708..	0.25	7	8	11	25	16	100	0.08
310810..	0.40	8	10	14	30	20	100	0.12
311012..	0.63	10	12	17	36	24	50	0.15
311316..	1	13	16	21	49	32	50	0.35
311720..	1.6	17	20	27	61	40	20	0.65
311922..	2	19	22	30	67	44	20	0.85
312224..	2.5	22	24	33	73	48	10	1.25
312427..	3.15	24	27	38	84	54	10	1.8
312730..	4	27	30	42	91	60	10	2.45
313036..	5	30	36	47	111	72	5	3.60
313539..	6.3	35	39	53	119	78	5	5.15
313845..	8	38	45	60	139	90		7.5
314248..	10	42	48	66	147	96		9.5
314852..	12.5	48	52	73	158	104		13.5
315260..	16	52	60	81	185	120		17
316068..	20	60	68	90	211	136		26
316572..	25	65	72	100	221	144		33
317080..	32	70	80	110	246	160		49
318090..	40	80	90	125	276	180		70
	50	90	100	140	307	200		90
	63	100	110	155	339	220		125
	80	110	125	175	385	250		180
	100	125	140	200	430	280		260

Tolerance: 5%



GN ROPE FITTINGS

GROFSMEDERIJ NIEUWKOOP BV
Zuideinde 123-139, 2421 AD Nieuwkoop, Holland
Tel. 31-172-579303, Fax 31-172-571073



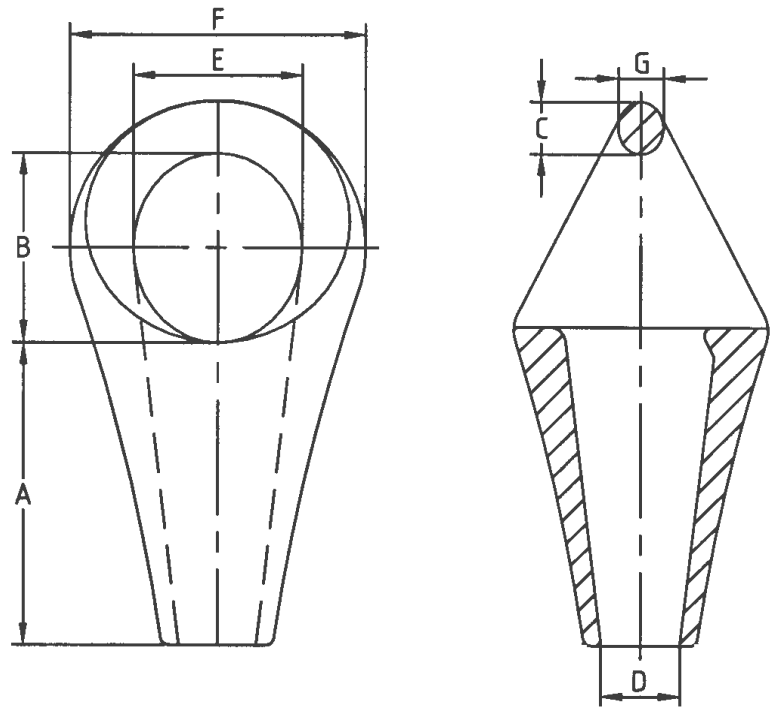
CR-SOCKETS

TYPE SO4

- Material : Cast steel
- Safety : 5 times
- Finish : Painted / galvanised
- Certificates : Proofload, 3.1B,
Manufacturer certificate
- On request : MPI & U.S. inspection

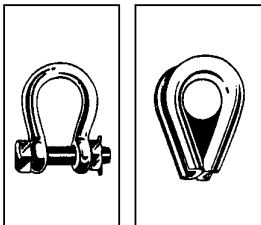
For a perfect connection see our CR-CONNECTOR page 28

Cr-sockets give the best possible connection between chain- and a rope anchoring system. These sockets are included our non-rotating system (NRS-System) which prevents the tamp for turning or slipping out of the cone and guaranty a high performance connection.



Art. no.	Type No.	Wire dia. mm.	Wire dia. Inch	SWL tons	MBL tons	A mm	B mm	C mm	D mm	E mm	F mm	G mm	Gewicht Weight Kgs.
47005229	522	49-54	2-2 1/8	50	250	215	125	55	57	115	200	50	27
47005249	524	55-60	2 1/4-2 3/8	60	300	230	145	65	63	135	220	57	41
47005269	526	61-68	2 1/2-2 5/8	80	400	250	160	75	73	150	270	65	56
47005279	527	69-75	2 3/4-2 7/8	100	500	280	175	80	79	165	300	70	78
47005289	528	76-80	3-3 1/8	120	600	310	190	85	86	175	325	75	100
47005299	529	81-86	3 1/4-3 3/8	140	700	340	205	100	92	200	350	90	128
47005309	530	87-93	3 1/2-3 5/8	160	800	360	220	105	99	205	360	95	145
47005319	531	94-102	3 3/4-4	180	900	380	240	110	108	225	380	100	188
47005339	533	108-115	4 1/4-4 1/2	200	1000	450	260	125	120	240	420	112	243

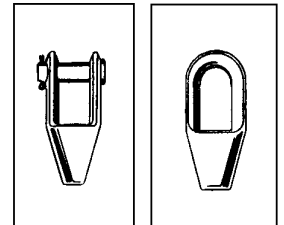
Tolerance 5%



GN ROPE FITTINGS

GROFSMEDERIJ NIEUWKOOP BV

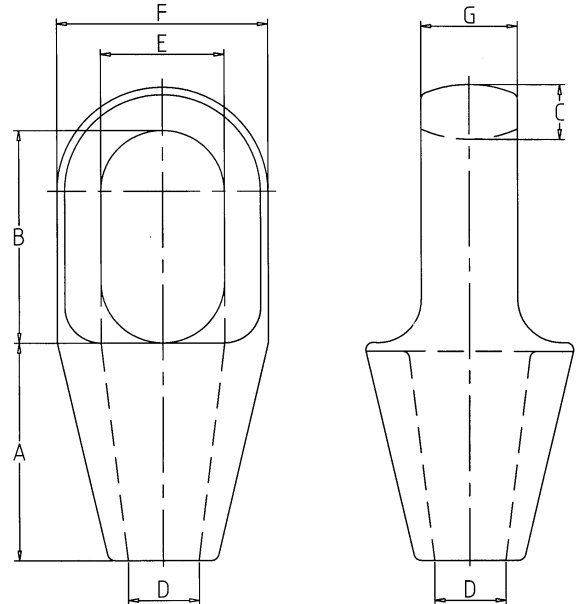
Zuideinde 123-139, 2421 AD Nieuwkoop, Holland
Tel. 31-172-579303, Fax 31-172-571073



CLOSED SPELTER SOCKET

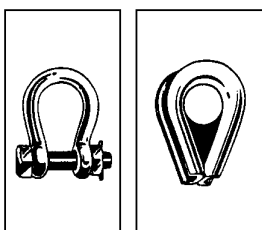
TYPE SO1

Material : Cast steel
 Safety : 5 times
 Certificates : 3.1B, manufacturer certificate
 Finish : Painted (Art. no.+1)
 Galvanised (Art. no.+9)



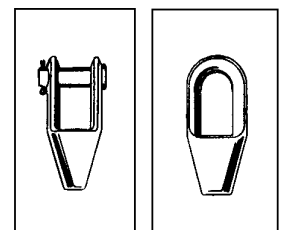
Art. no.	Type No.	Wire dia mm	Wire dia Inch	MBL tons	A Mm	B mm	C mm	D mm	E mm	F mm	G mm	Approx Weight Kgs.
4700294.	294	11-13	1/2	17	64	59	18	14	29	51	22	0.7
4700296.	296	14-16	5/8		75	65	24	18	35	67	25	1.2
4700298.	298	18-19	3/4	36	89	78	27	21	41	76	32	2
4700201.	201	20-22	7/8	45	101	90	33	24	47	92	38	4
4700204.	204	24-27	1	70	114	103	36	28	57	104	44	6
4700207.	207	27-30	1 1/8	100	127	116	39	32	63	114	51	7
4700212.	212	31-36	1 1/4-1 3/8	120	139	130	43	38	70	127	57	10
4700215.	215	37-36	1 1/2	150	152	155	51	41	79	136	63	13
4700217.	217	40-42	1 5/8	200	165	171	54	44	82	146	70	16
4700219.	219	43-48	1 3/4-1 7/8	260	190	198	55	51	89	171	76	28
4700222.	222	49-54	2-2 1/8	280	216	224	62	57	96	193	82	37
4700224.	224	55-60	2 1/4-2 3/8	360	228	247	73	63	108	216	92	53
4700226.	226	61-68	2 1/2-2 5/8	450	248	270	79	73	140	241	102	65
4700227.	227	69-75	2 3/4-2 7/8	480	279	286	76	79	159	273	124	85
4700228.	228	76-80	3-3 1/8	520	305	298	83	86	171	292	133	115
4700229.	229	81-86	3 1/4-3 3/8	600	330	311	102	92	184	311	146	139
4700230.	230	87-93	3 1/2-3 5/8	700	356	330	102	99	197	330	159	173
4700231.	231	94-102	3 3/4-4	875	381	356	108	108	216	362	178	240
4700233.	233	108-115	4 1/2	1100	450	425	120	125	235	405	190	360
4700240.	240	122-130	5	1200	500	475	120	138	260	515	210	555
4700250.	250	140-155	5 1/2-6	1350	580	550	150	160	300	510	250	
4700260.	260	158-167	6 1/2	1600	675	600	175	175	325	600	300	

Tolerance 5%



GN ROPE FITTINGS

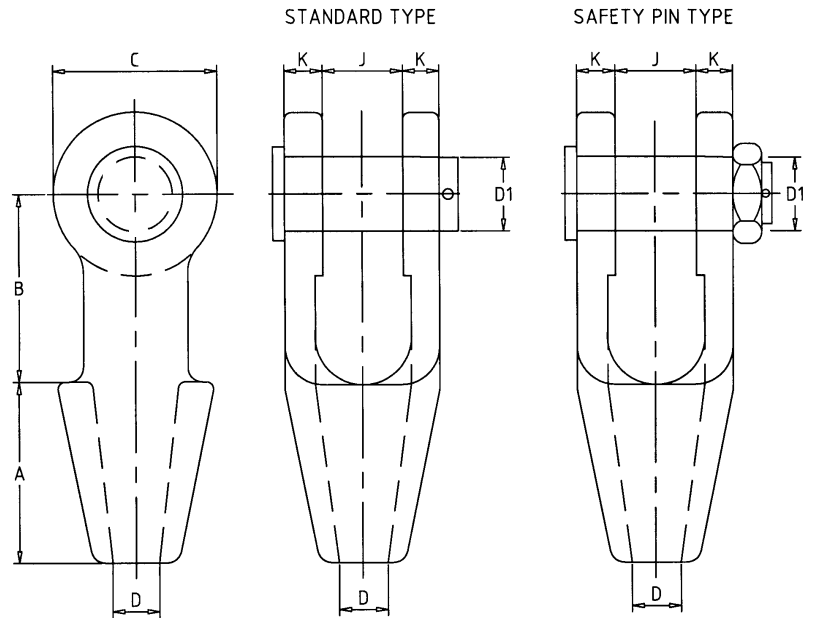
GROFSMEDERIJ NIEUWKOOP BV
 Zuideinde 123-139, 2421 AD Nieuwkoop, Holland
 Tel. 31-172-579303, Fax 31-172-571073



OPEN SPELTER SOCKET

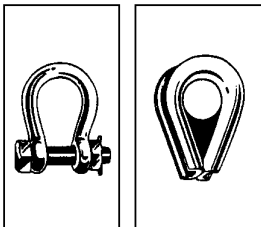
TYPE SO2

Material : Cast steel
 Safety : 5 times
 Certificates : 3.1B, manufacturer certificate
 Finish : Painted (Art. no. +1)
 Galvanised (Art. no. +9)



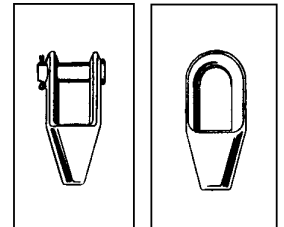
Art. no. Standard	Art. no. Safety pin	Type No.	Wire dia. mm.	Wire dia. Inch.	MBL tons	A mm	B mm	C mm	D mm	D1 mm	J mm	K mm	Gew. Weight Kgs.
4700196.	4790196.	196	11-13	1/2	17	64	51	49	14	25	25	16	1
4700198.	4790198.	198	14-16	5/8	26	76	64	57	18	31	32	18	2
4700100.	4790100.	100	18-19	3/4	32	89	76	80	21	35	38	16	4
4700104.	4790104.	104	20-22	7/8	45	101	89	90	24	41	44	19	5
4700108.	4790108.	108	23-26	1	70	114	101	120	28	51	51	22	7
4700111.	4790111.	111	27-30	1 1/8	100	127	114	130	32	57	57	25	12
4700115.	4790115.	115	31-36	1 1/4-1 3/8	125	139	127	144	38	63	63	28	16
4700118.	4790118.	118	37-39	1 1/2	150	152	162	160	41	70	76	30	24
4700120.	4790120.	120	40-42	1 5/8	200	165	165	176	44	76	76	33	27
4700125.	4790125.	125	43-48	1 3/4-1 7/8	260	190	178	200	51	89	89	39	38
4700128.	4790128.	128	49-54	2-2 1/8	280	216	228	216	57	95	101	46	59
4700130.	4790130.	130	55-60	2 1/4-2 3/8	360	228	250	236	63	108	113	53	87
4700132.	4790132.	132	61-68	2 1/2-2 5/8	450	248	273	264	73	121	127	60	130
4700135.	4790135.	135	69-75	2 3/4-2 7/8	480	279	279	276	79	127	133	73	157
4700138.	4790138.	138	76-80	3-3 1/8	520	305	286	284	86	133	146	76	192
4700140.	4790140.	140	81-86	3 1/4-3 3/8	600	330	298	296	92	140	159	79	243
4700142.	4790142.	142	87-93	3 1/2-3 5/8	700	356	318	340	99	152	171	83	287
4700144.	4790144.	144	94-102	3 3/4-4	875	381	343	362	108	178	191	89	370
4700146.	4790146.	146	108-115	4 1/2	1100	460	480	440	125	190	208	101	
4700150.	4790150.	150	122-130	5	1250	500	500	560	138	250	210	120	
4700160.	4790160.	160	140-155	5 1/2-6	1350	580	500	600	160	275	230	140	
4700170.	4790170.	170	158-167	6 1/2	1600	675	600	650	175	290	250	175	

Tolerance 5%



GN ROPE FITTINGS

GROFSMEDERIJ NIEUWKOOP BV
 Zuideinde 123-139, 2421 AD Nieuwkoop, Holland
 Tel. 31-172-579303, Fax 31-172-571073

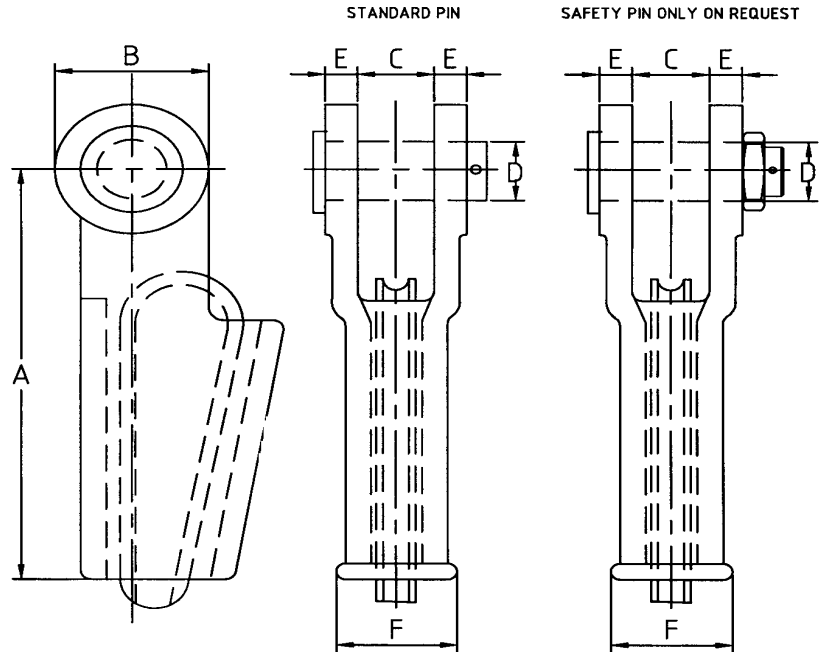


OPEN WEDGE SOCKET

TYPE SO3

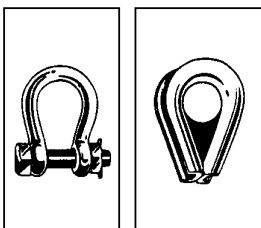
Material : Cast steel
 Safety : 5 times
 Finish : Painted / galvanised
 Certificates : 3.1B, manufacturer certificate

Bolt with nut and split pin on request.



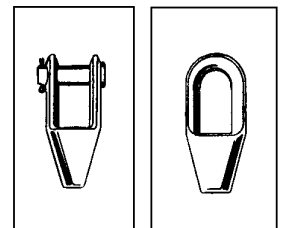
Art. no.	Type No.	Wire dia. Mm.	Wire dia. Inch.	MBL tons	A mm	B mm	C mm	D mm	E mm	F mm	Gewich t Weight Kgs.
4700000.	05	9-10	3/8	10	122	47	20	21	11	26	2
4700001.	1	11-13	1/2	16	146	57	25	25	12	32	3
4700002.	2	14-16	5/8	25	176	70	31	30	15	44	4
4700003.	3	18-19	3/4	32	212	80	38	35	16	44	6
4700004.	4	20-22	7/8	45	240	96	44	41	19	52	9
4700005.	5	24-26	1	70	274	114	51	50	22	58	15
4700006.	6	28	1 1/8	100	310	130	57	57	25	66	20
4700007.	7	32	1 1/4	125	350	146	63	64	28	79	25
4700008.	8	35	1 3/8	125	400	148	69	64	28	79	38
4700009.	9	38	1 1/2	150	450	160	76	70	30	93	55
4700010.	10	41	1 5/8	200	500	174	76	76	33	95	66
4700011.	11	44-48	1 3/4-1 7/8	260	550	200	89	89	39	111	90
4700012.	12	51	2	280	650	200	101	95	46	140	142
4700013.	13	56	2 1/4	360	660	250	114	108	54	136	172
4700014.	14	63	2 1/2	450	840	270	127	121	60	161	271
4700015.	15	75	3	520	1000	300	146	133	76	186	437

Tolerance 5%



GN ROPE FITTINGS

GROFSMEDERIJ NIEUWKOOP BV
 Zuideinde 123-139, 2421 AD Nieuwkoop, Holland
 Tel. 31-172-579303, Fax 31-172-571073



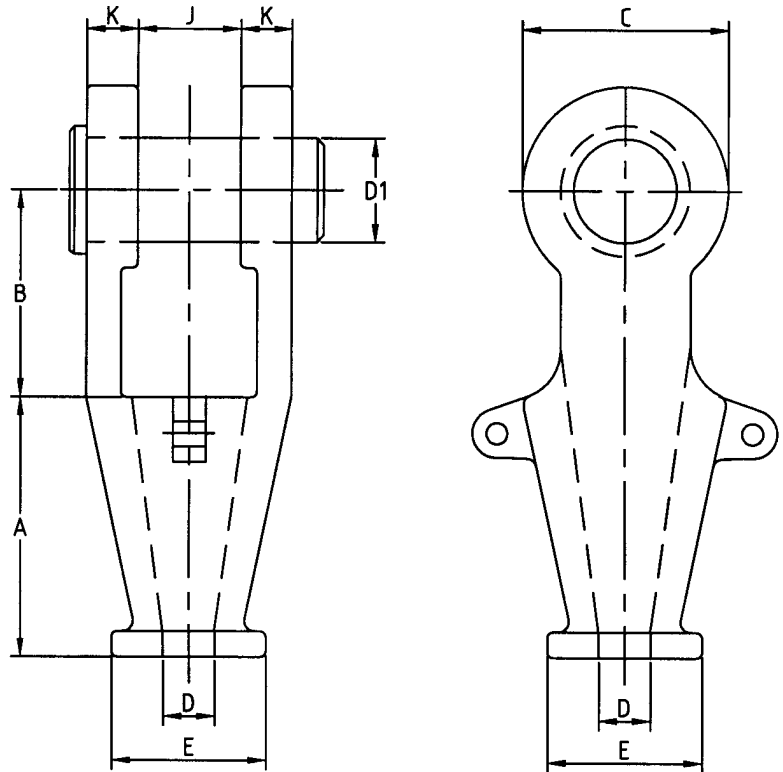
S-TYPE OPEN SPELTER SOCKET

TYPE SO5

Material : Cast steel
 Safety : 5 times
 Finish : Galvanised
 Certificates : Proofload, 31B,
 Manufacturer certificate

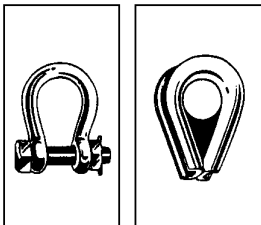
Bolt with nut and split pin on request.

S-type open spelter sockets are prepared to operate in a wire-rope connection in combination with a flange-mounted bending stiffener. The stiffener protects the rope for buckling during transport and installation.



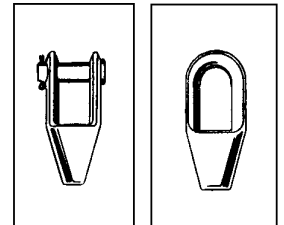
Art. no.	Type No.	Wire dia. mm.	Wire dia. inch	A mm	B mm	C mm	D mm	D1 mm	J mm
47003389	338	65-76	3	350	286	284	75-85	133	146
47003409	340	78-83	3 1/4	375	298	296	82-92	140	159
47003429	342	85-89	3 1/2	410	318	340	90-100	152	171
47003449	344	92-96	3 3/4	425	343	362	98-108	178	191
47003469	346	98-102	4	510	480	440	115-125	190	208
47003509	350	115	4 1/2	550	500	560	128-138	250	210
47003609	360	126	5	630	500	600	140-160	275	230
47003709	370	138	5 1/2	725	600	650	150-175	290	250

Tolerance 5%, Dimensions D and E can be specified by order.



GN ROPE FITTINGS

GROFSMEDERIJ NIEUWKOOP BV
 Zuideinde 123-139, 2421 AD Nieuwkoop, Holland
 Tel. 31-172-579303, Fax 31-172-571073



CR-CONNECTORS

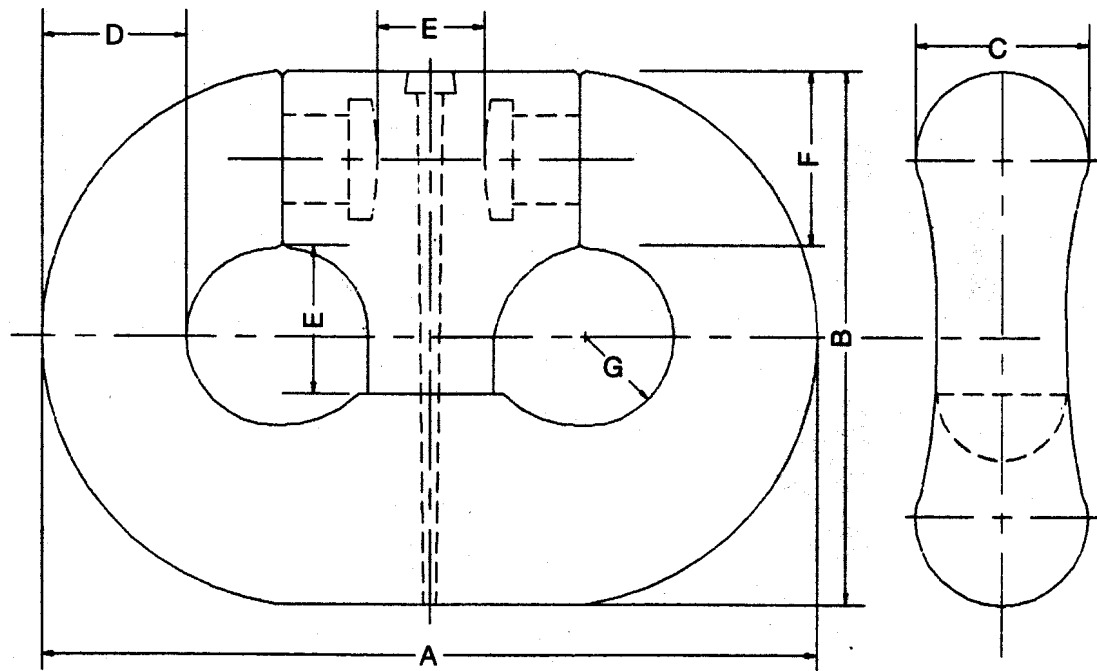
TYPE **SC3**

Suitable for chain and CR-sockets

Material : **Fully forged steel R4**

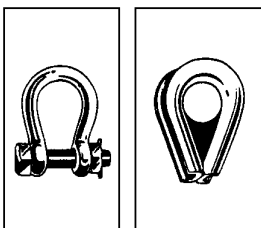
Finish : Self coloured / painted

Certificate : Proofload, 3.1B material



Art. no.	Chain size mm	Cr socket no.	P.L. kN	MBL KN	A mm	B mm	C mm	D mm	E mm	F mm	G mm	Gewicht Weight Kgs.
400000002	70	522-526	4060	5160	419	275	92	73	83	90	46	46
400000003	76	522-528	4730	6010	457	295	95	76	90	94	50	55
400000004	84-86	524-529	5930	7522	514	332	107	86	100	107	57	80
400000005	87-89	524-530	6310	8005	537	350	116	92	105	114	59	94

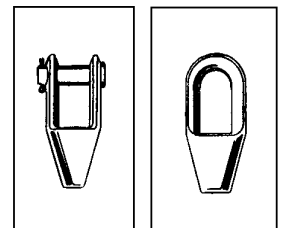
Tolerance 5%



GN ROPE FITTINGS

GROFSMEDERIJ NIEUWKOOP BV

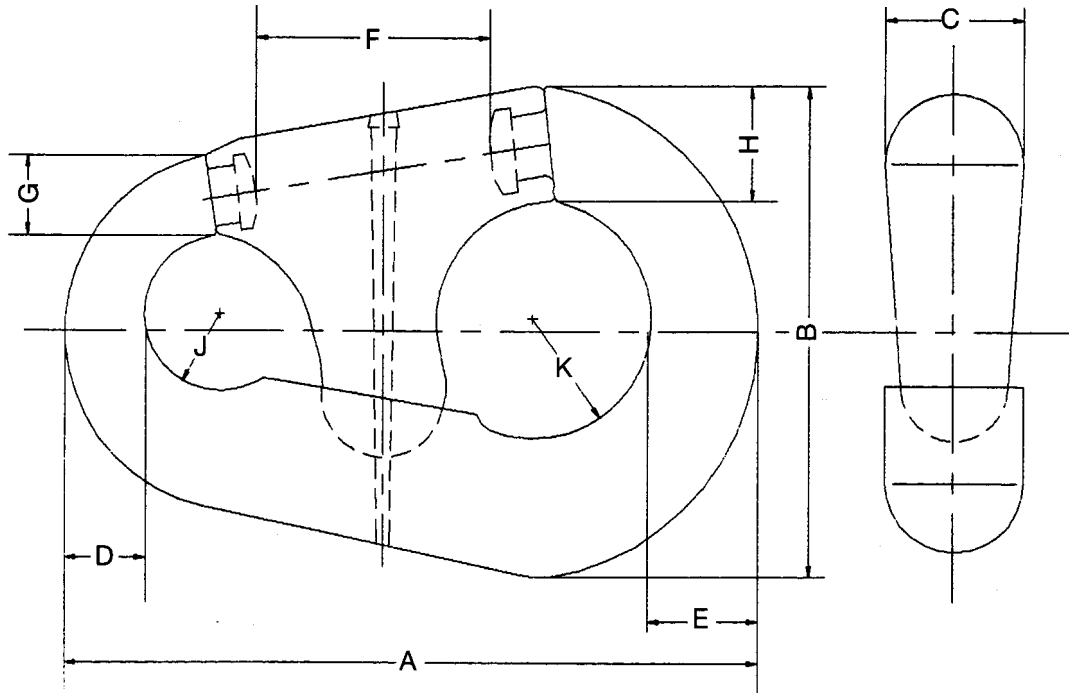
Zuideinde 123-139, 2421 AD Nieuwkoop, Holland
Tel. 31-172-579303, Fax 31-172-571073



PEAR CONNECTING LINKS

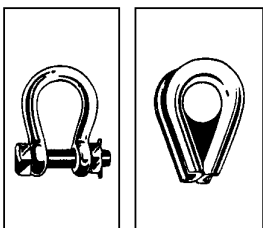
TYPE SC4

Material : Fully forged steel R4
 Finish : Painted
 Certificates : Proofload, 31b material



Art no.	Type No.	Chain Size mm	A mm	B mm	C mm	D mm	E mm	F mm	G mm	H mm	J mm	K mm	Weight Kg.
40000104	4	32-40	298	206	59	40	48	83	40x44	56	26	43	13
40000105	5	42-51	378	260	76	51	64	100	51x60	74	32	52	27
40000106	6	52-60	454	313	92	60	76	121	62x73	88	37	64	49
40000107	7	62-79	562	376	117	79	95	149	85x79	111	48	76	94
40000108	8	81-92	654	419	133	92	124	149	111x102	130x133	54	79	149
40000109	9	94-95	692	435	146	98	130	159	124x137	141	57	83	236
40000110	10	97-102	889	571	190	121	165	190	130	181	73	108	386
40000111	11	103-108	940	610	203	127	175	203	156	200	76	111	418

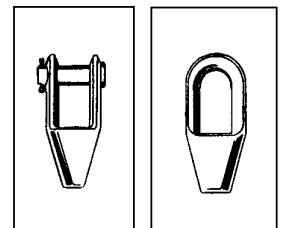
Tolerance 5%



GN ROPE FITTINGS

GROFSMEDERIJ NIEUWKOOP BV

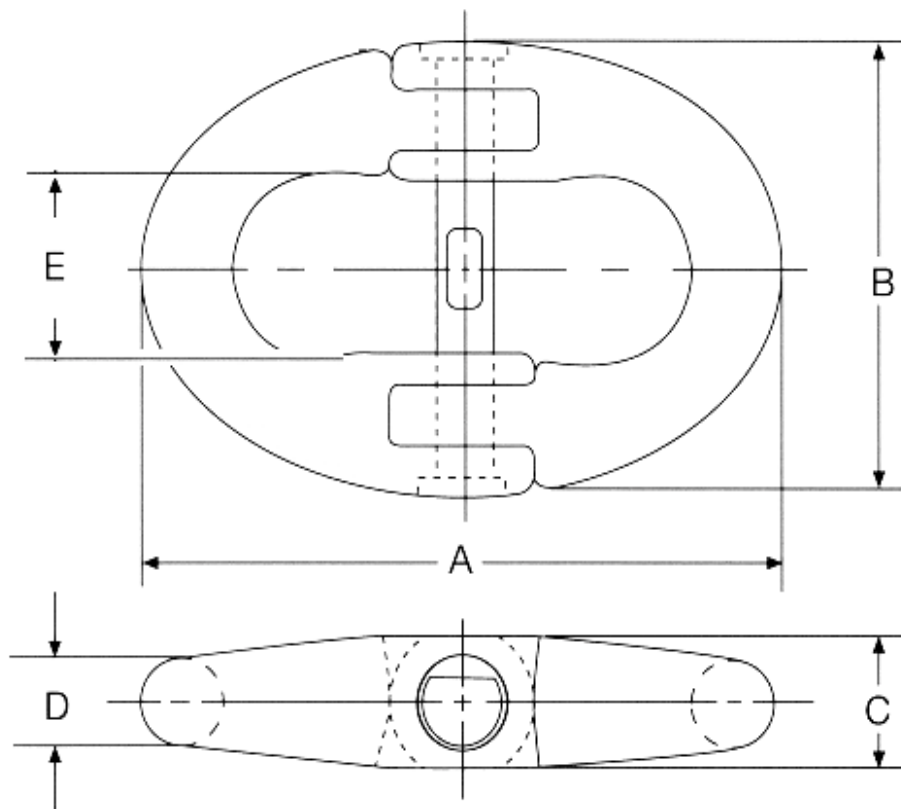
Zuideinde 123-139, 2421 AD Nieuwkoop, Holland
 Tel. 31-172-579303, Fax 31-172-571073



CONNECTING LINK FOR PENNANT LINES

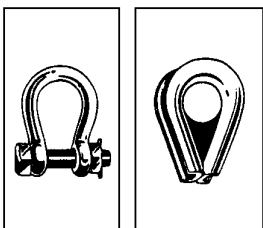
TYPE SC2

Material : Forged high alloy steel
 Safety : 5 times
 Finish : Painted / self coloured
 Certificate : Proofload, Lloyds



Art. no.	S.W.L tons	P.L. tons	A mm	B mm	C mm	D mm	E mm	Gewicht Weight Kgs.
40000013	110	220	558	368	150	75	160	75

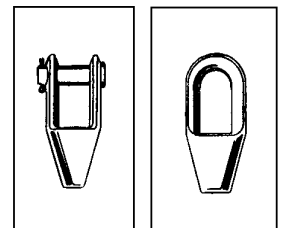
Tolerance 5%



GN ROPE FITTINGS

GROFSMEDERIJ NIEUWKOOP BV

Zuideinde 123-139, 2421 AD Nieuwkoop, Holland
 Tel. 31-172-579303, Fax 31-172-571073

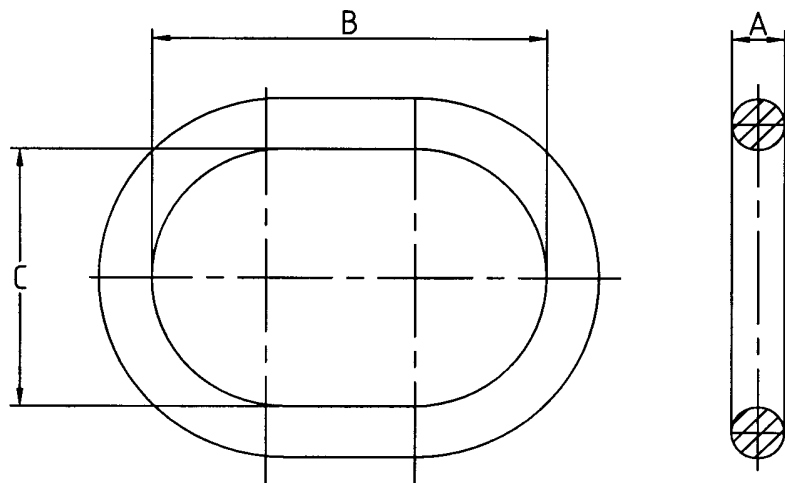


HOOGWAARDIGE SCHALMEN MASTER LINKS

TYPE SC1

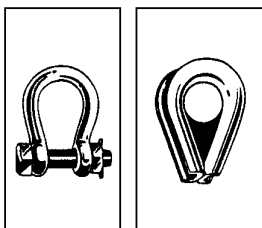
Suitable for all kinds of thimbles

Material : High alloy steel
 Safety : 4 times
 Finish : Painted
 On request : Proofload, 3.1B certificate



Art. no.	M.B.L. tons	S.W.L. tons	A mm	B mm	C mm	Gewicht Weight Kgs.
12220000	20	5	22	160	90	1.5
12260000	32	8	26	180	100	2.3
12320000	40	10	32	200	110	3.9
12360000	64	16	36	260	140	6.3
12450000	104	26	45	340	180	13
12510000	144	36	51	350	190	17
12570000	188	47	57	400	200	25
12630000	232	58	63	430	230	32
12720000	336	84	72	440	250	46
12800000	420	105	80	450	250	62
12900000	524	131	90	460	300	75
12100000	628	157	100	500	300	103
12125000	800	200	125	650	400	205

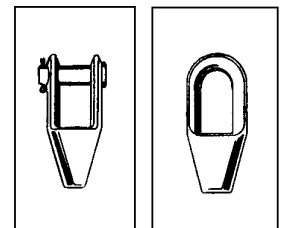
Tolerance 5%



GN ROPE FITTINGS

GROFSMEDERIJ NIEUWKOOP BV

Zuideinde 123-139, 2421 AD Nieuwkoop, Holland
 Tel. 31-172-579303, Fax 31-172-571073

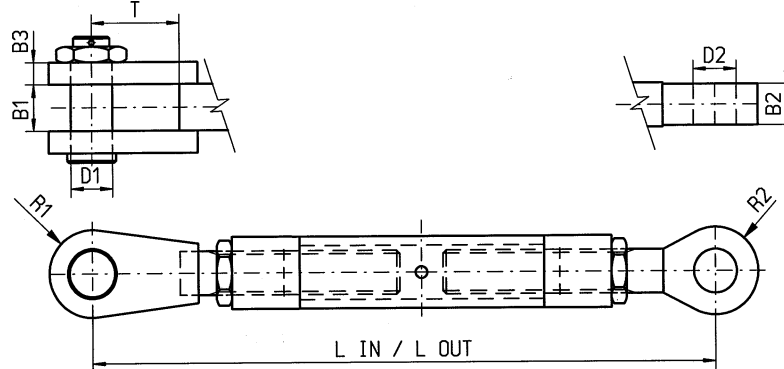


HEAVY DUTY TURNBUCKLES

TYPE T2

Material : High tensile steel
 Safety : 5 times
 Finish : Painted / galvanised
 Certificate : Proofload, Manufacturer certificate

This type of rigging screws meets the requirements as laid down in the Dutch, British, American and other Dock regulations.
 On request deliverable with 2 securing nuts or plates.
 Custom designed screws can be constructed in any size and capacity.
 Rigging screws are supplied with trapezium thread.



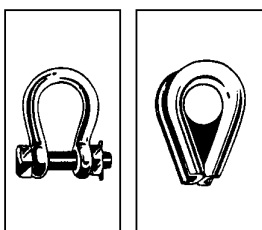
Art. no.	S.W.L. tons	Weight Kg	Length in and out					
			Jaw / jaw		Eye / jaw		Eye / eye	
			Min.	Max.	Min.	Max.	Min.	Max.
43055080	13.5	52	935	1260	890	1215	840	1165
43065080	17	69	1010	1360	965	1315	920	1270
43070080	25	85	1085	1415	1030	1360	975	1305
43075080	30	100	1160	1530	1090	1460	1020	1390
43080080	35	140	1250	1650	1175	1575	1100	1500
43090080	45	180	1300	1780	1235	1715	1170	1650
43100080	55	240	1380	1890	1325	1835	1270	1780
43110080	70	340	1480	2025	1435	1985	1390	1940
43120080	85	420	1565	2200	1540	2175	1515	2150
43130080	100	510	1630	2360	1615	2345	1600	2330
43140080	120	600	1745	2340	1740	2335	1735	2330
43160080	160	700	1870	2470	1865	2465	1860	2460
43180080	200	960	2020	2640	2010	2630	2000	2620
43200080	250	1120	2170	2840	2190	2860	2210	2880

S.W.L tons	Thread Trap.	Jaw					Eye			
		B1 mm	B3 mm	T mm	D1 mm	R1 mm	B2 Mm	R2 mm	D2 mm	
13.5	55X8	55	20	122	51	60	50	60	53	
17	65X8	65	28	130	63	70	55	70	65	
25	70X8	76	30	145	70	70	70	70	72	
30	75X8	80	35	160	72	75	70	75	74	
35	80X8	90	40	175	80	85	80	85	82	
45	90X8	100	45	175	90	95	90	95	93	
55	100X8	110	50	175	100	105	100	105	103	
70	110X8	110	55	175	108	115	100	115	111	
85	120X8	130	75	175	127	135	125	135	130	
100	130X8	140	90	175	140	145	125	145	143	
120	140X8	155	90	190	152	170	140	170	155	
160	160X8	170	100	210	178	190	160	190	181	
200	180X8	190	110	250	190	220	170	200	193	
250	200X8	210	120	280	250	260	190	260	253	

Tolerance 5%

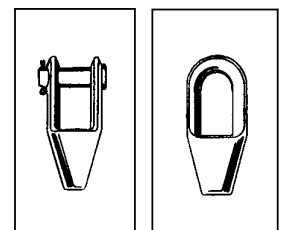
STANDARD TURNBUCKLES

TYPE T1



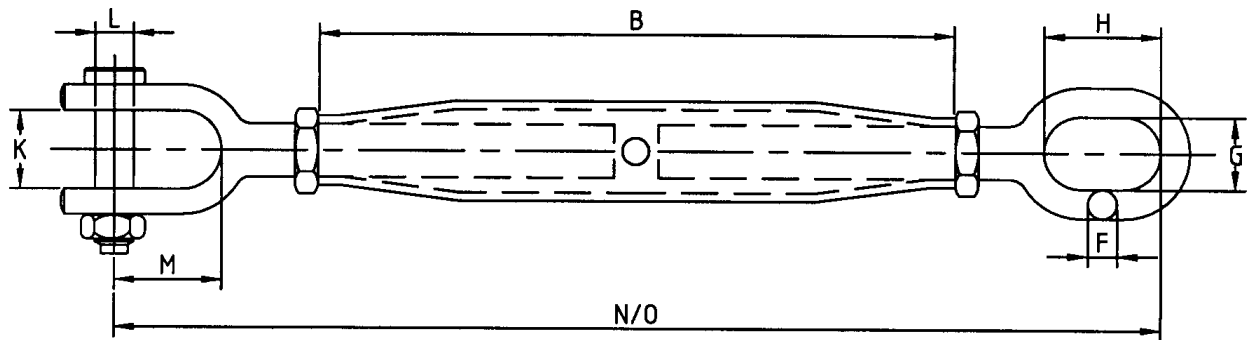
GN ROPE FITTINGS

GROFSMEDERIJ NIEUWKOOP BV
 Zuideinde 123-139, 2421 AD Nieuwkoop, Holland
 Tel. 31-172-579303, Fax 31-172-571073



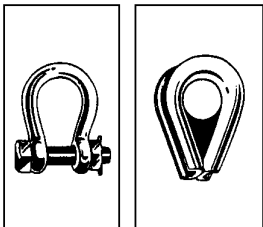
STANDAARD SPANWARTELS

- Material : M6-M20 Mild steel
M20-2" Alloy steel, normalised
- Safety : Above M20, 5 times
Sizes M6-M20 with welded terminals
are not recommended for lifting !
- Finish : Hot dipped galvanised



Art. no.	Size	Load limit tons	SWL tons	Thread Size	B mm	N mm	O mm	L mm	M mm	K mm	H mm	G mm	F mm	Gew. Weight Kgs.
43060000	1/4"	0.20		M6	100	145	220	5	14	7	11	11	5	0.1
43080000	5/16"	0.32		M8	110	165	245	6	17	9	12	12	6	0.2
43100000	3/8"	0.50		M10	125	190	290	8	20	11	13	13	7	0.3
43110000	7/16"	0.60		M11	165	240	370	10	25	12	16	16	8	0.6
43120000	1/2"	0.70		M12	195	285	430	11	35	13	30	15	10	0.7
43160000	5/8"	1.20		M16	230	370	540	12	44	16	40	20	12	1.2
43190000	3/4"	1.50		M20	270	425	625	16	50	20	50	24	16	2.3
43220000	7/8"		2.2	M22	295	480	690	19	60	25	50	24	16	3.3
43250000	1"		3.2	M24	325	520	740	22	65	30	56	28	19	4.6
43320000	1 1/4"		4.8	1 1/4"	370	630	900	28	85	40	70	35	22	8.5
43380000	1 1/2"		6.0	1 1/2"	400	690	980	32	100	42	80	40	25	14.5
43450000	1 3/4"		8.5	1 3/4"	400	760	1060	38	108	45	90	45	30	20.8
43500000	2"		11.0	2"	400	820	1125	45	115	58	100	45	35	24.0

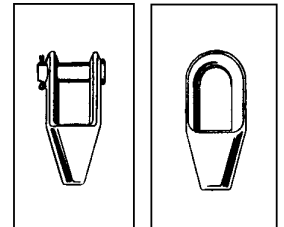
Tolerance 5%



GN ROPE FITTINGS

GROFSMEDERIJ NIEUWKOOP BV

Zuideinde 123-139, 2421 AD Nieuwkoop, Holland
Tel. 31-172-579303, Fax 31-172-571073



CR-CHAIN SWIVEL

TYPE SW2

CR-Chain swivels are special designed for sub-merged use, and are maintenance free.

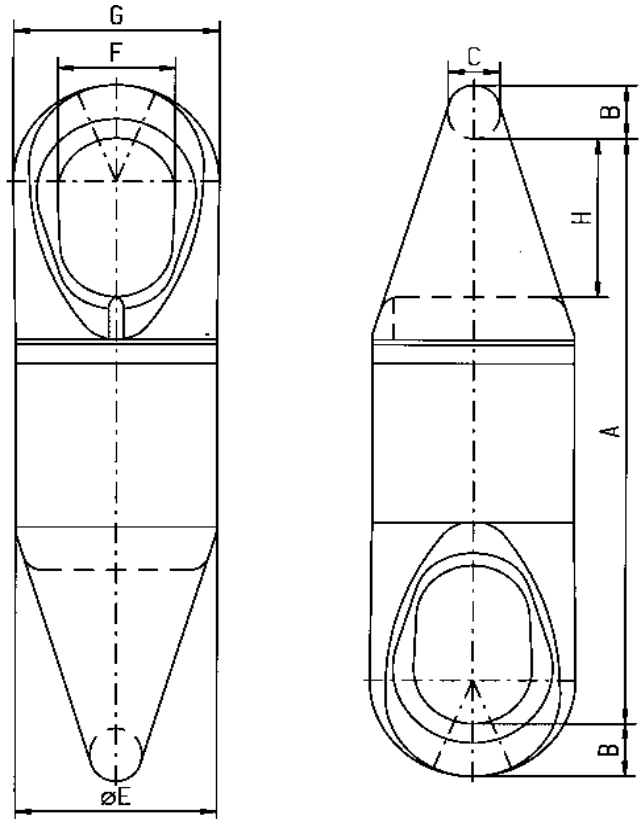
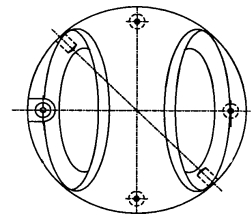
Material : High alloy steel
 Finish : Painted
 Certificates : 3.1B, Proofload cert.

Self lubricating axial and Radial bearing materials are made of an advanced laminate, with a very high bearing load and a very low friction.

Test results of torque's under load gave the following results:

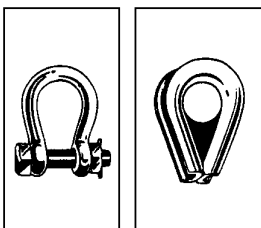
100 Tons 0,4 T/M
 150 Tons 0,6 T/M
 200 Tons 0,8 T/M
 250 Tons 1,1 T/M

The eye gives you the possibility to fit a shackle eye, connecting link, pear link and kenter shackle



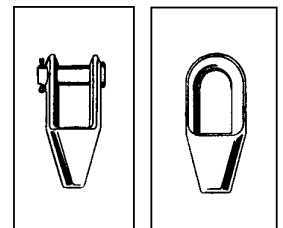
Art. no.	Size	MBL	PL	A	B	C	E	F	G	H
	inch	Tons	tons	mm	mm	mm	mm	mm	mm	mm
47020250	2"	250	100	625	55	50	200	115	200	165
47020300	2¼"	300	120	690	65	57	225	135	230	195
47020400	2½"	400	160	720	75	65	250	150	270	205
47020600	3"	600	240	835	85	75	300	175	342	240
47020800	3½"	800	320	965	105	95	330	205	360	285
47020900	4"	900	360	1055	110	100	360	225	380	320

Tolerance 5%



GN ROPE FITTINGS

GROFSMEDERIJ NIEUWKOOP BV
 Zuideinde 123-139, 2421 AD Nieuwkoop, Holland
 Tel. 31-172-579303, Fax 31-172-571073



CR-ROPE SWIVEL

TYPE SW3

CR-Rope swivels are special designed for sub-merged use, and are maintenance free.

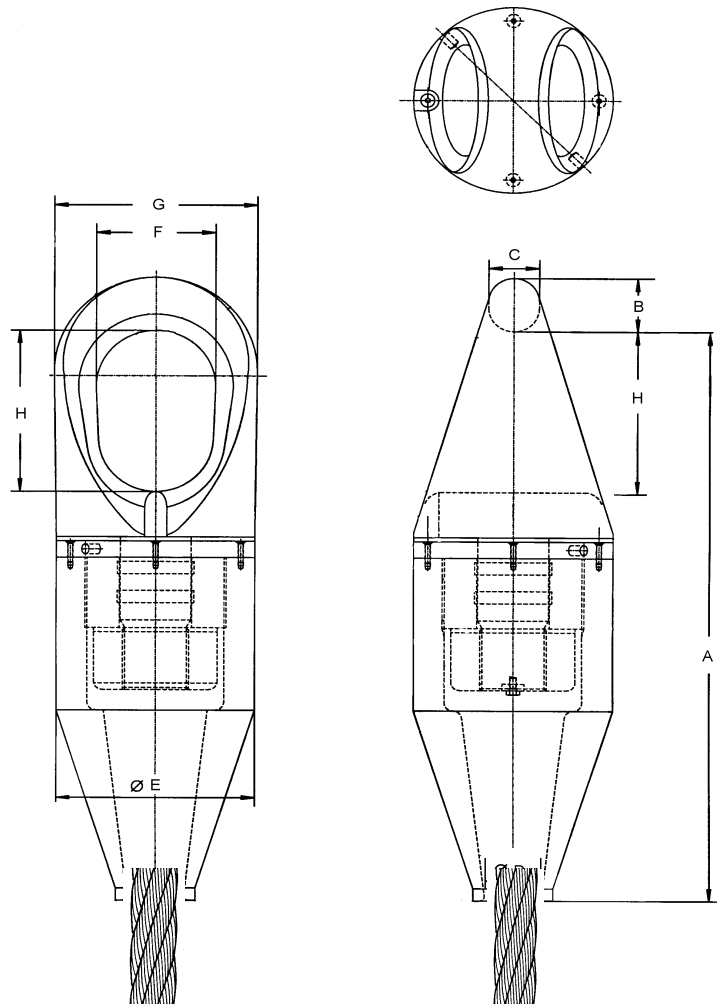
Material : High alloy steel
 Finish : Painted
 Certificates : 3.1B, Proofload cert.

Self lubricating axial and Radial bearing materials are made of an advanced laminate, with a very high bearing load and a very low friction.

Test results of torque's under load gave the following results:

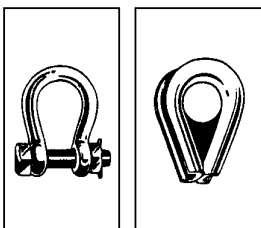
100 Tons 0,4 T/M
 150 Tons 0,6 T/M
 200 Tons 0,8 T/M
 250 Tons 1,1 T/M

The eye gives you the possibility to fit a shackle eye, connecting link, pear link and kenter shackle



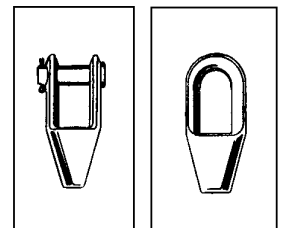
Art. no.	Size	MBL	Rope dia.	PL	A	B	C	D	E	F	G	H
	inch	Tons	Mm	tons	mm	mm	mm	mm	mm	mm	mm	mm
47030250	2"	250	40-54	100	625	55	50	57	200	115	200	165
47030300	2 ¼"	300	55-60	120	690	65	57	63	225	135	230	195
47030400	2 ½"	400	61-72	160	720	75	65	73	250	150	270	205
47030600	3"	600	73-84	240	835	85	75	86	300	175	342	240
47030800	3 ½"	800	85-93	320	965	105	95	99	330	205	360	285
47030900	4"	900	94-105	360	1055	110	100	108	360	225	380	320

Tolerance 5%



GN ROPE FITTINGS

GROFSMEDERIJ NIEUWKOOP BV
 Zuideinde 123-139, 2421 AD Nieuwkoop, Holland
 Tel. 31-172-579303, Fax 31-172-571073

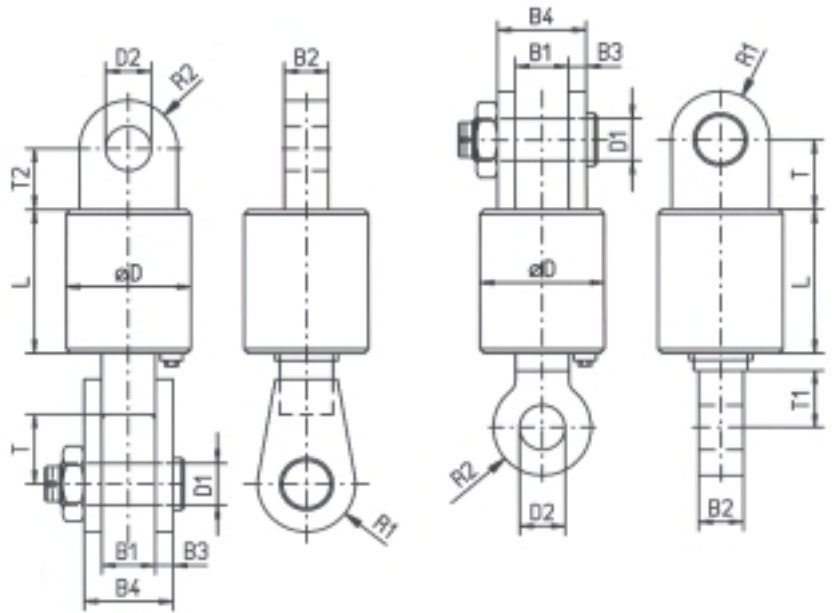


SWIVEL WITH CLOSED BODY

TYPE

SW1

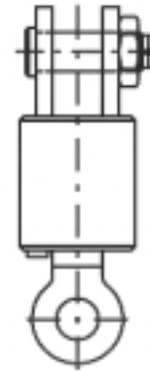
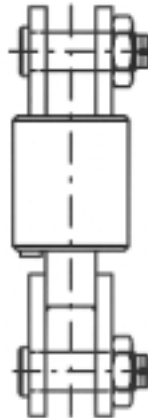
Material : High tensile steel
 Safety : 5 times
 Finish : Painted



EYE-EYE

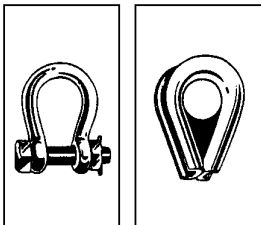
JAW-JAW

EYE-JAW



Art. No.	SWL tons	B1 mm	B2 mm	B3 mm	B4 mm	D1 mm	D2 mm	D mm	L mm	R1 mm	R2 mm	T mm	T1 mm	T2 mm
4011.017	17	65	60	30	125	63	65	170	170	70	70	130	90	110
4011.025	25	76	70	30	136	70	72	190	220	75	75	145	90	115
4011.035	35	100	80	35	170	80	82	250	280	85	85	175	100	130
4011.055	55	110	100	50	210	100	103	270	370	105	105	175	120	160
4011.070	70	120	100	50	220	108	111	290	370	115	115	175	131	171
4011.085	85	130	125	75	280	127	130	350	400	135	135	175	150	190
4011.120	120	155	140	90	335	152	155	430	410	170	170	190	185	225
4011.150	150	170	160	100	370	178	181	470	470	190	190	210	205	245
4011.200	200	175	170	120	415	190	193	530	490	200	200	250	240	280
4011.250	250	200	190	125	450	250	253	600	520	260	260	280	300	340
4011.300	300	250	190	175	600	290	293	750	580	300	300	300	350	390

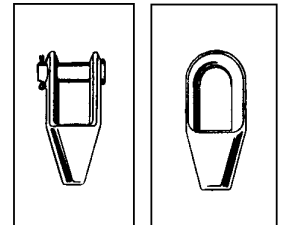
Tolerance 5%



GN ROPE FITTINGS

GROFSMEDERIJ NIEUWKOOP BV

Zuideinde 123-139, 2421 AD Nieuwkoop, Holland
 Tel. 31-172-579303, Fax 31-172-571073

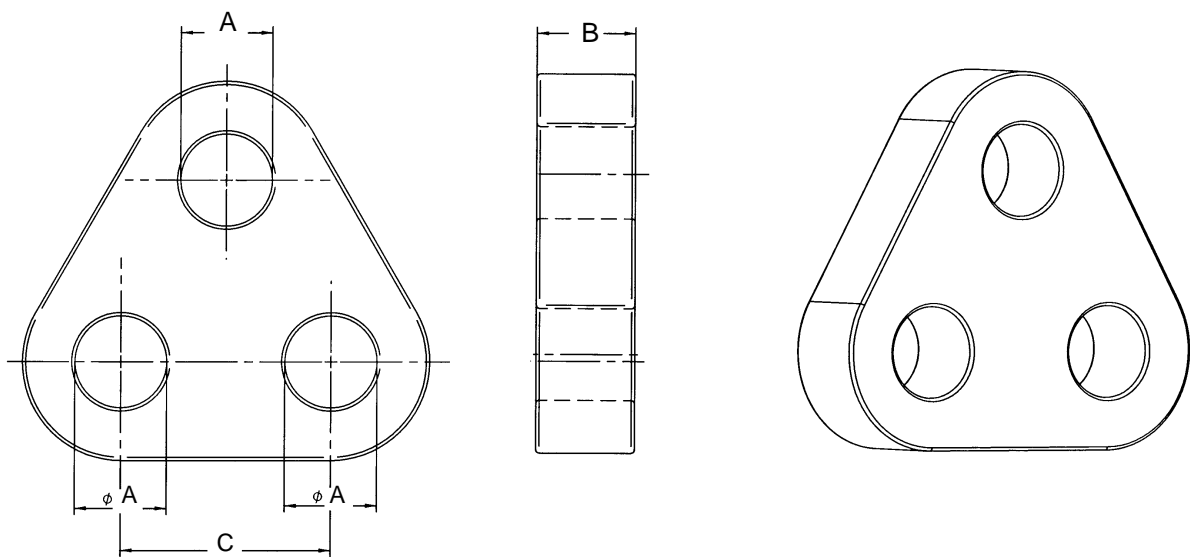


TRIANGLE PLATES

TR1

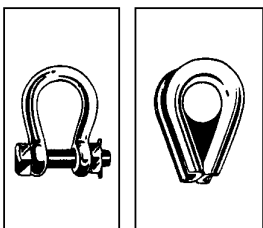
Material : High tensile steel
 Safety : 5 times
 Finish : Painted

Certificates
 Standard : 3.1B material
 Manufacturer
 On request : 3.1C material
 Proofload certificate
 DNV, Lloyds, ABS, BV etc.



Art no.	S.w.l	M.b.l.	A	B	C
	tons	tons	mm	mm	mm
75002500	25	125	55	50	140
75003500	35	175	60	60	150
75005500	55	275	75	80	180
75008500	85	425	90	90	220
75012000	120	600	105	110	240
75015000	150	750	115	130	260
75017500	175	875	115	140	290
75020000	200	1000	140	150	380
75025000	250	1250	150	170	450

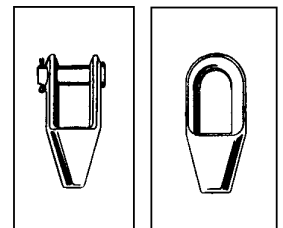
Tolerance 5%



GN ROPE FITTINGS

GROFSMEDERIJ NIEUWKOOP BV

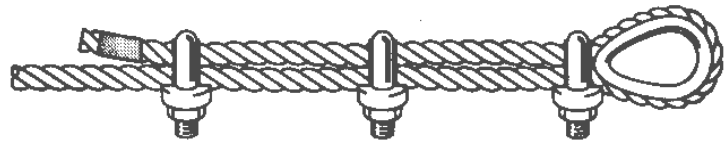
Zuideinde 123-139, 2421 AD Nieuwkoop, Holland
 Tel. 31-172-579303, Fax 31-172-571073



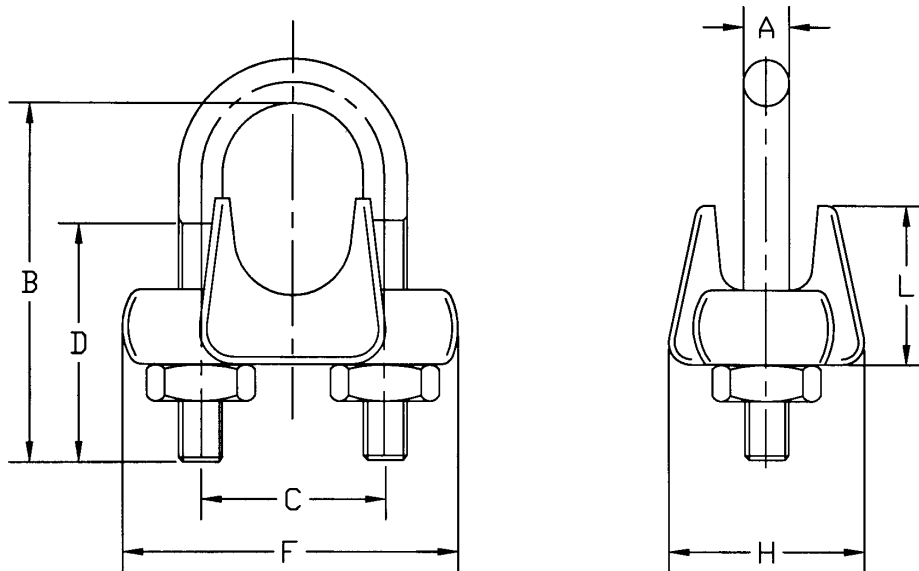
WIRE ROPE CLIPS (FORGED)
STAALDRAAD KLEMMEN
 Generally to U.S. Fed. Spec. FF-C-450

WC1

Material : Forged high tensile steel
 Finished : Galvanised

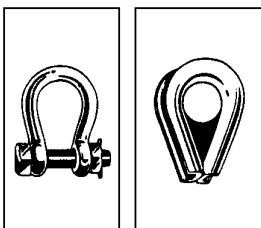


Notes: To fit the clip on the wire-rope you must use the bow of the clip on the dead-end of the rope.



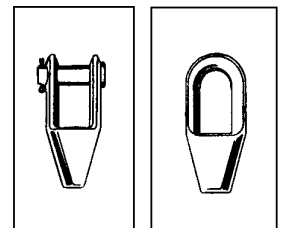
Art. no.	Rope Size inch	Rope Size mm	A mm	B mm	C mm	D mm	F m	H mm	L mm	Gewicht Kgs.
49004509	1 3/4"	44-46	29	146	78	70	134	97	74	4
49005009	2"	48-52	32	164	86	76	149	113	83	6
49005709	2 1/4"	56-58	32	181	98	81	162	114	81	7
49006409	2 1/2"	62-65	32	195	105	87	168	103	94	9
49007009	2 3/4"	68-72	32	211	111	90	175	127	124	10
49007609	3"	75-78	38	233	121	99	194	149	119	14
49008909	3 1/2"	85-90	38	273	140	114	213	157	152	18

Tolerance 5%



GN ROPE FITTINGS

GROFSMEDERIJ NIEUWKOOP BV
 Zuideinde 123-139, 2421 AD Nieuwkoop, Holland
 Tel. 31-172-579303, Fax 31-172-571073

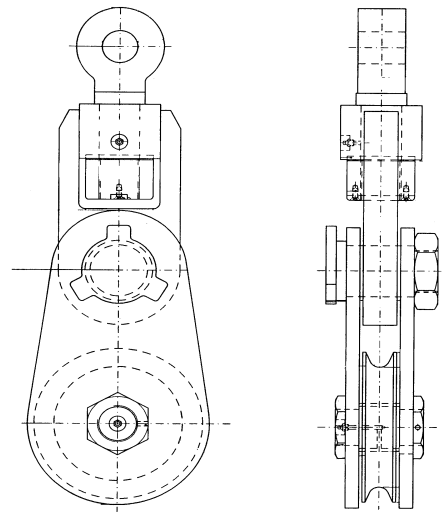


GN - SNATCH BLOCKS FOR SHACKLE FITTING TYPE BL 3

Safety : 4 times
 Certificates : Proofload, manufacturer
 Finish : Painted

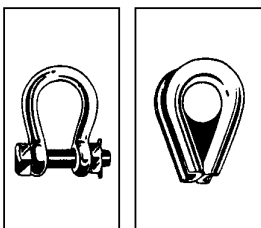
Sheaves with bronze bearing

Groove size can be changed on request for bigger rope sizes.



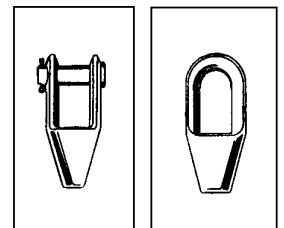
LIGHT TYPE							
Art. no.	Type	S.w.l. Eye pull tons	S.w.l. Line pull tons	Rope size inch	Sheaves dia inch	Suitable Shackle Bow safety pin	Approx weight Kgs.
20041903	H41903	3.25	1.62	3/8	3	3.25	2
20041905	H41905	4.75	2.37	1/2	4 1/2	4.75	5,5
20041906	H41906	8.5	4.25	3/4	6	8.5	13
20041908	H41908	8.5	4.25	3/4	8	8.5	15
20041910	H41910	8.5	4.25	3/4	10	8.5	19
20041912	H41912	8.5	4.25	3/4	12	8.5	25
20041914	H41914	8.5	4.25	3/4	14	8.5	39
20041916	H41916	17	8.5	7/8	16	17	59
20041918	H41918	17	8.5	1	18	17	68

HEAVY TYPE							
Art. no.	Type	S.w.l. tons	S.w.l. Line pull Tons	Rope size inch	Sheaves dia inch	Suitable Shackle Bow safety pin	Approx Weight Kgs.
20043106	H43106	17	8.5	1	6	17	37
20043108	H43108	25	12.5	1 1/8	8	25	78
20043110	H43110	25	12.5	1 1/4	10	25	90
20043112	H43112	25	12.5	1 1/4	12	25	105
20043114	H43114	25	12.5	1 1/4	14	25	120
20043118	H43118	35	17.5	1 1/2	18	25	145
20043120	H43120	35	17.5	1 1/2	20	35	160
20043124	H43124	35	17.5	1 1/2	24	35	260
20043224	H43224	55	27.5	1 5/8	24	55	340
20043226	H43226	85	42.5	1 3/4	26	85	690
20043230	H43230	85	42.5	2	30	85	870
20043234	H43234	120	60	2	34	120	1200
20043236	H43236	150	75	2 1/2	36	150	2100
20043238	H43238	200	100	3	38	200	2500
20043242	H43242	200	100	3 1/4	42	200	2660
20043246	H43246	250	125	3 1/2	46	250	2800

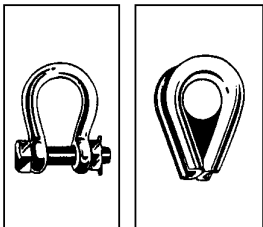


GN ROPE FITTINGS

GROFSMEDERIJ NIEUWKOOP BV
 Zuideinde 123-139, 2421 AD Nieuwkoop, Holland
 Tel. 31-172-579303, Fax 31-172-571073



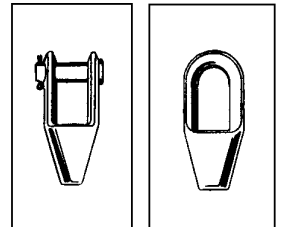
Tolerance 5%



GN ROPE FITTINGS

GROFSMEDERIJ NIEUWKOOP BV

Zuideinde 123-139, 2421 AD Nieuwkoop, Holland
Tel. 31-172-579303, Fax 31-172-571073



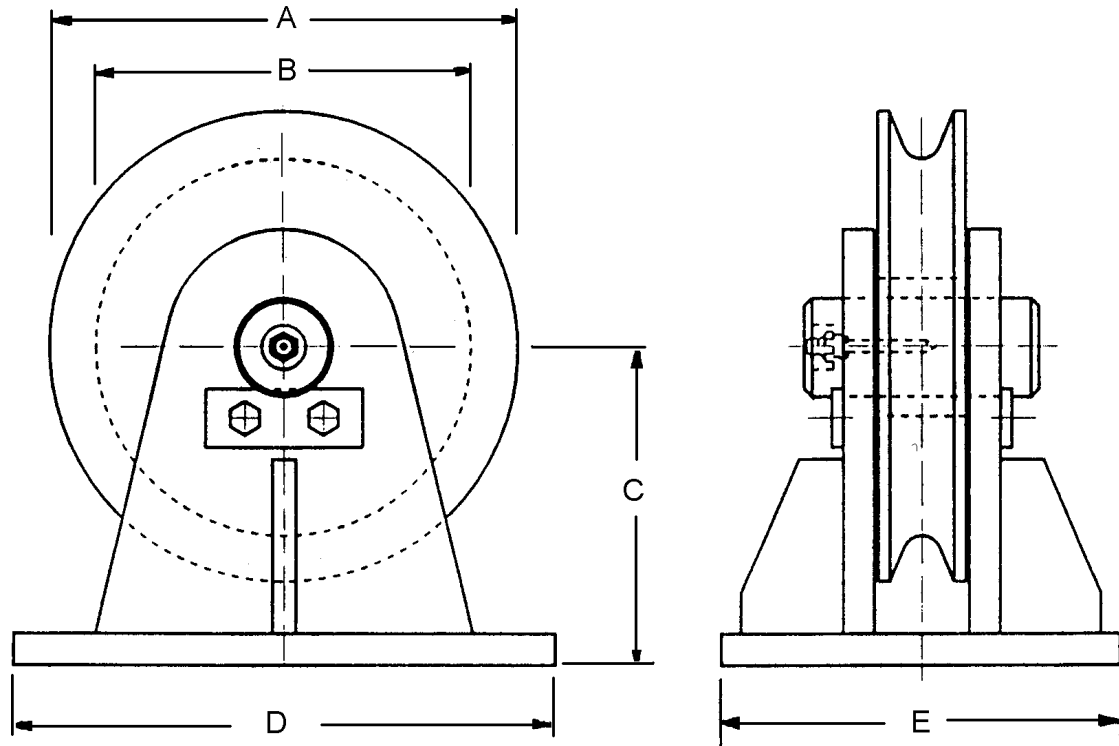
VERTICAL LEAD-SHEAVES

TYPE

BL1

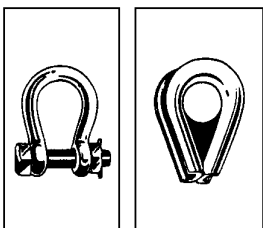
Certificates : Manufacturer, 3.1B
 Finish : Painted

Horizontal lead sheaves on request



Art. no.	Rope size mm	A mm	B mm	C mm	D mm	E mm
55000025	25	400	350	275	500	350
55000032	32	450	375	320	550	350
55000038	38	500	440	350	600	400
55000044	44	550	460	375	675	450
55000050	50	600	500	400	750	500
55000063	63	650	525	450	900	500
55000075	75	750	600	500	1000	600

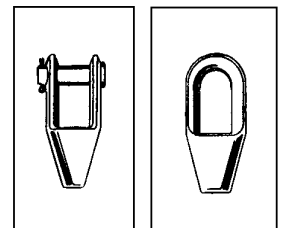
Tolerance 5%



GN ROPE FITTINGS

GROFSMEDERIJ NIEUWKOOP BV

Zuideinde 123-139, 2421 AD Nieuwkoop, Holland
 Tel. 31-172-579303, Fax 31-172-571073

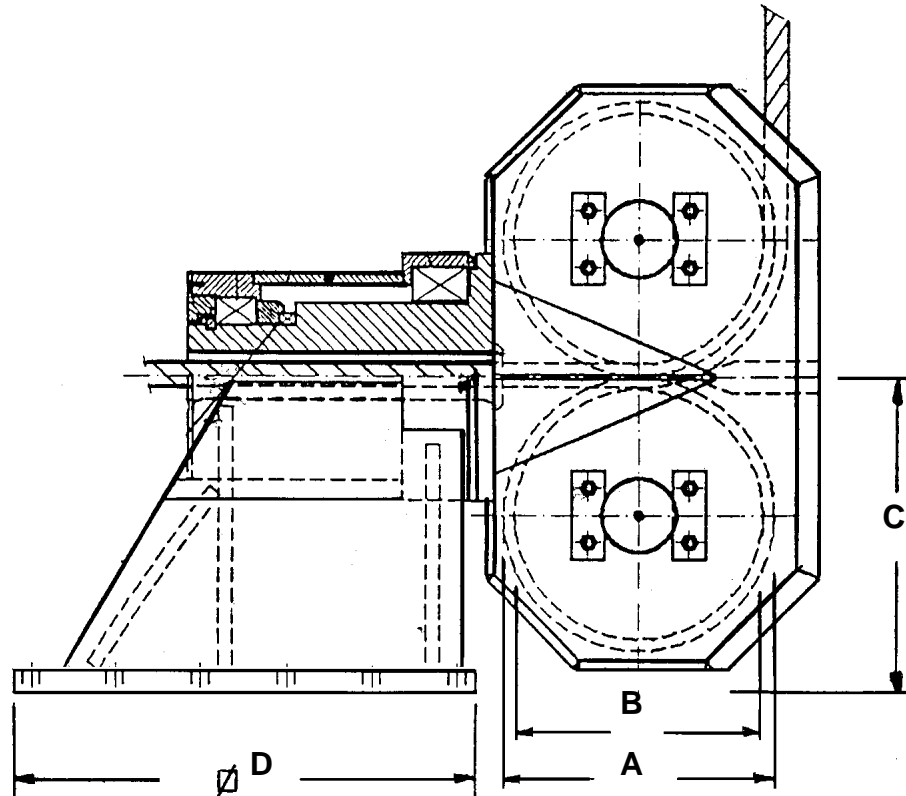


2 SHEAVES FAIRLEADS 360 GRD TURNABLE

TYPE

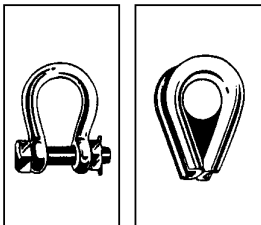
BL2

Certificates : Manufacturer, 3.1B
Finish : Painted



Art. no.	Rope size	A	B	C	D
	mm	mm	mm	mm	Mm
56000025	25	400	350	450	600
56000032	32	450	375	525	670
56000038	38	500	440	600	750
56000044	44	550	460	650	850
56000050	50	600	500	700	1000
56000063	63	650	525	800	1200
56000075	75	750	600	900	1500

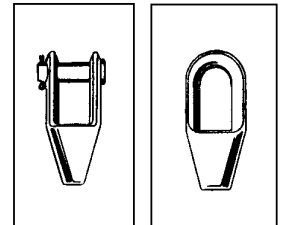
Tolerance 5%



GN ROPE FITTINGS

GROFSMEDERIJ NIEUWKOOP BV

Zuideinde 123-139, 2421 AD Nieuwkoop, Holland
Tel. 31-172-579303, Fax 31-172-571073

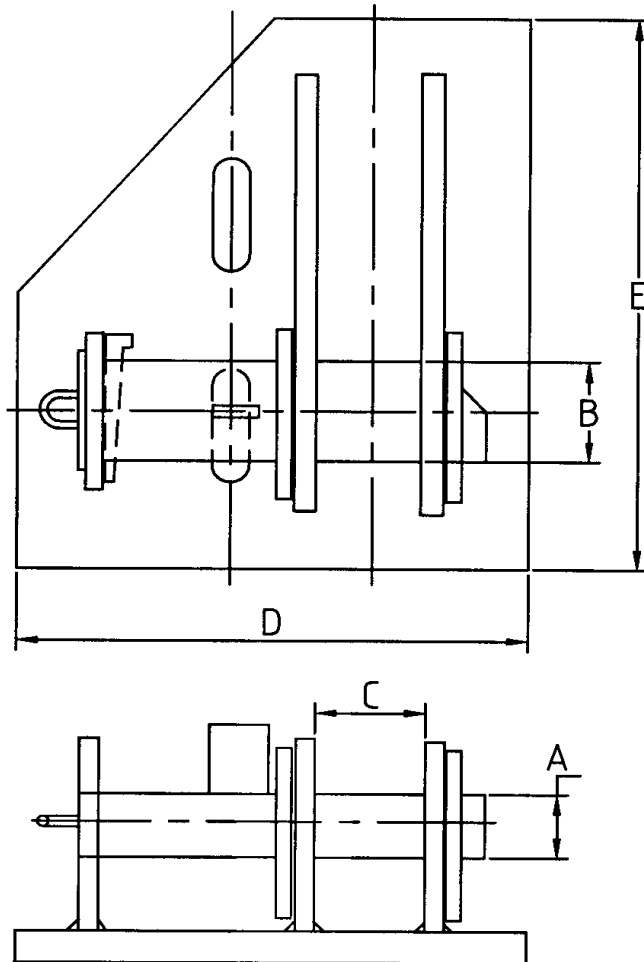


CHAIN BRACKETS

TYPE

CB1

Certificates : Manufacturer, 3.1B
 Finish : Painted



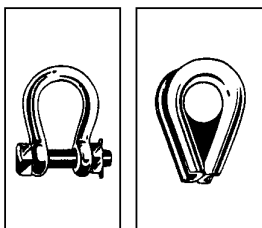
Art. no.	A	B	C	D	E
	mm	mm	mm	mm	mm
57000090	90	60	90	500	500
57000125	125	80	100	650	650
57000170	170	110	110	750	750
57000200	200	120	125	800	800

Tolerance 5%

EYE-HOOK (ROV)

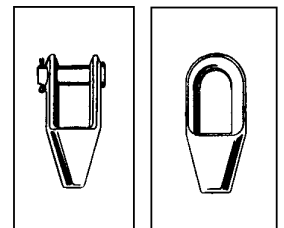
TYPE

HK2



GN ROPE FITTINGS

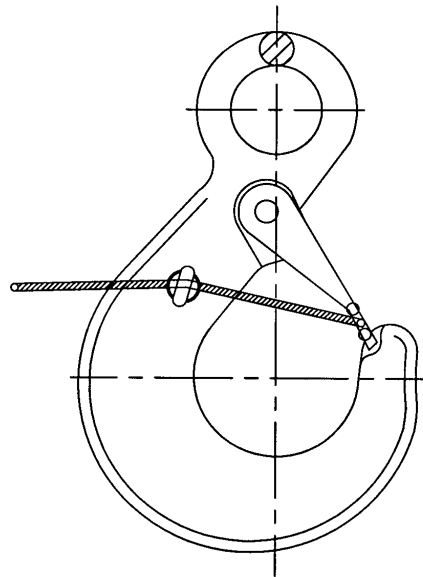
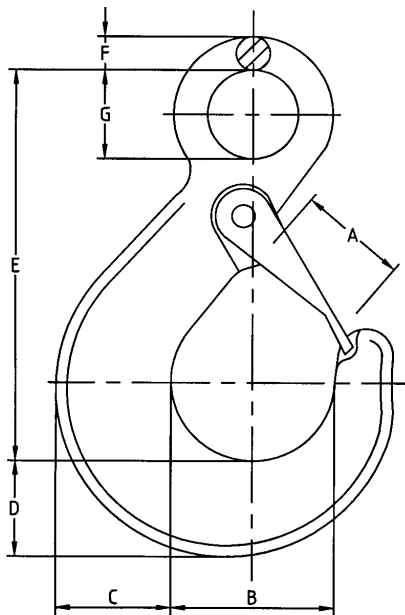
GROFSMEDERIJ NIEUWKOOP BV
 Zuideinde 123-139, 2421 AD Nieuwkoop, Holland
 Tel. 31-172-579303, Fax 31-172-571073



Material : Grade 80
 Safety : 4 times
 Finished : Painted
 Certificate : Manufacturer certificate
 Proofload on request.

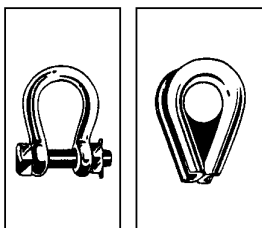
Standard hook with safety latch

Type ROV-Hook



Art. no.	S.w.l. ton	A mm	B mm	C mm	D mm	E mm	F mm	G mm	Gewicht Weight Kgs.
51000020	20	78	99	85	73	277	31,5	52	12
51000028	28	88	112	96	83	313	35,5	60	16
51000031	31	98	125	106	92	349	40	66	22
51000040	40	109	140	116	103	386	44,5	72	32
51000050	50	124	158	135	116	442	50,5	84	46
51000063	63	138	176	151	130	494	56	90	63
51000080	80	155	198	168	145	610	63	102	80
51000100	100	175	225	195	172	650	74	116	
51000120	120	200	250	225	199	765	86	130	
51000150	150	225	275	260	238	850	102	150	

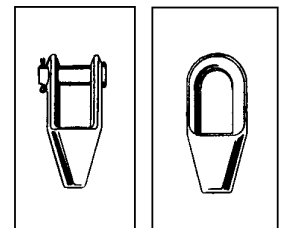
Tolerance 5%



GN ROPE FITTINGS

GROFSMEDERIJ NIEUWKOOP BV

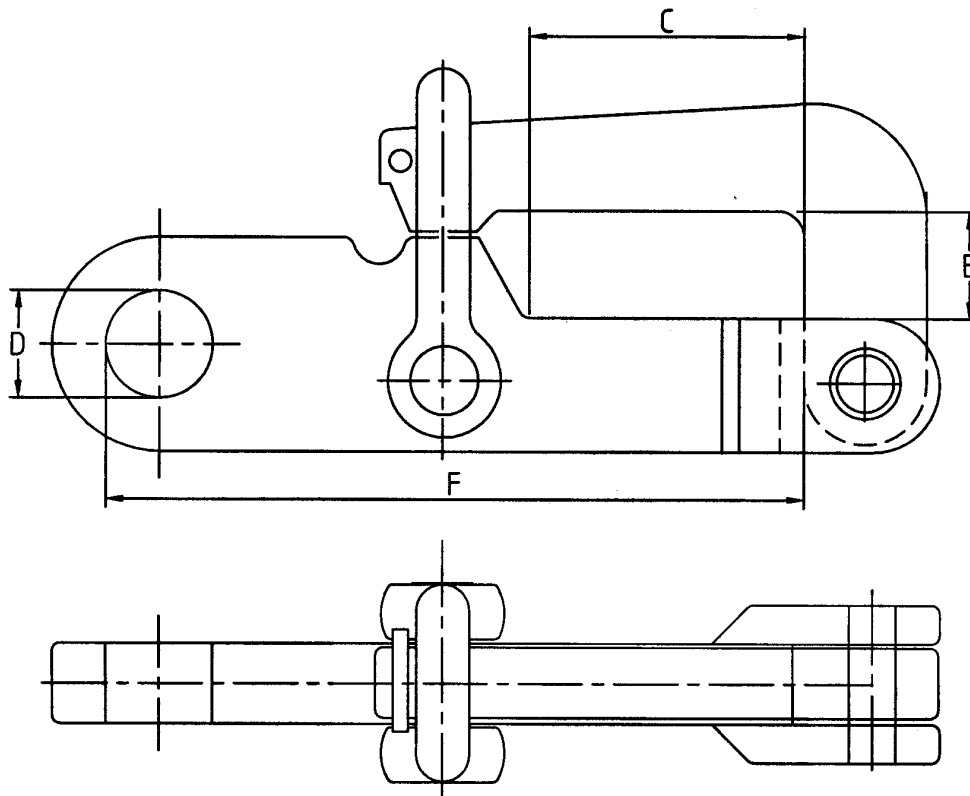
Zuideinde 123-139, 2421 AD Nieuwkoop, Holland
 Tel. 31-172-579303, Fax 31-172-571073



HEAVY DUTY PELICAN / SLIPHOOK

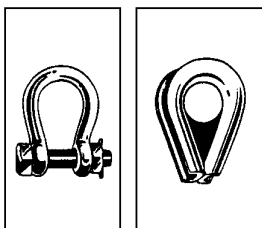
TYPE **HK3**

Material : High tensile steel
 Safety : 5 times
 Finish : Painted
 Certificate : Manufacturer certificate
 Proofload on request.



Art. no.	S.w.l. ton	M.b.l. ton	C mm	D mm	E mm	F mm	Gewicht Weight Kgs.
75000012	10	50	160	38	65	358	25
75000017	15	75	165	45	70	390	35
75000025	25	125	180	55	76	430	55
75000035	35	175	200	60	85	475	70
75000055	55	250	230	75	90	525	90
75000070	60	300	270	86	100	600	160
75000085	85	375	310	90	110	705	240
75000120	120	500	400	105	160	880	440
75000150	150	850	455	135	180	1050	650

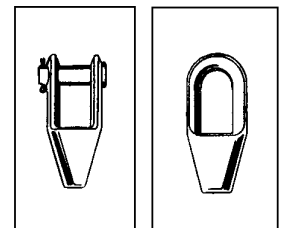
Tolerance 5%



GN ROPE FITTINGS

GROFSMEDERIJ NIEUWKOOP BV

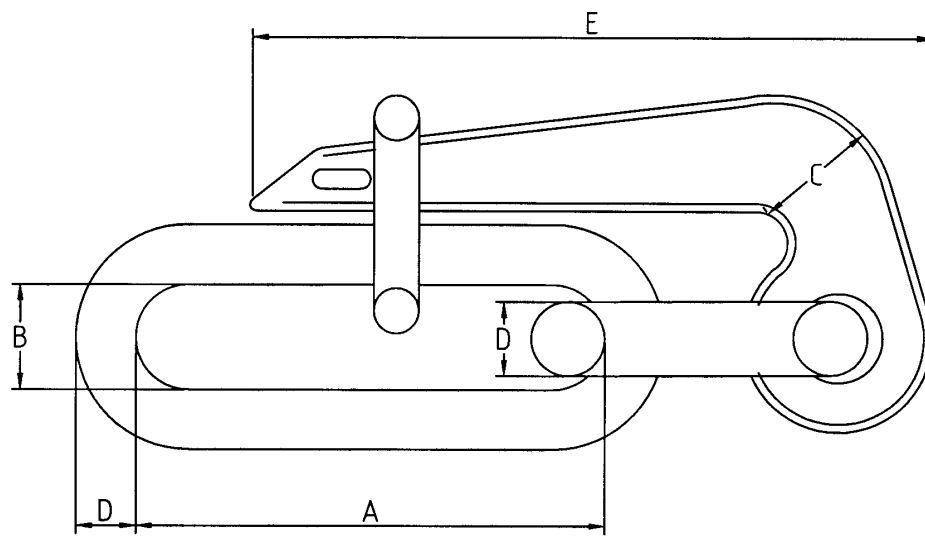
Zuideinde 123-139, 2421 AD Nieuwkoop, Holland
 Tel. 31-172-579303, Fax 31-172-571073



SLIPHOOK

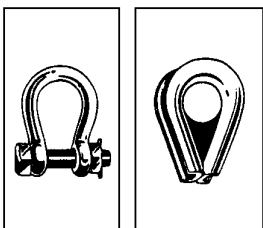
TYPE HK4

Material : Low alloy steel
 Safety : 4 times
 Finish : Galvanised
 Certificate : Manufacturer certificate
 Proofload on request.



At.no.	S.w.l. ton	D mm	A mm	B mm	C mm	E mm
44100000	0,4	10	89	17	17	108
44120000	0,75	12	102	22	28	165
44160000	1,25	16	83	23	32	146
44220000	2	22	127	32	32	185
44250000	5	25	127	35	48	254
44320000	9	32	210	50	70	330

Tolerance 5%



GN ROPE FITTINGS

GROFSMEDERIJ NIEUWKOOP BV

Zuideinde 123-139, 2421 AD Nieuwkoop, Holland
 Tel. 31-172-579303, Fax 31-172-571073

